

<b>NHS Information Standards Board</b>	Subject: <b>Data Standards: Meta Model</b>
	Implementation Date: <b>Immediate</b>

### **DATA SET CHANGE CONTROL PROCEDURE**

**This paper gives notification of changes to be included in the NHS Data Dictionary and the NHS CDS Manual as appropriate. These will be consolidated into the publications in due course.**

---

#### **Summary of Changes:**

Addition of new definitions to the NHS Data Dictionary to form a meta model that can be used as a common basis for the future development of patient-centred data standards. The meta model provides a common data structure which can be applied to all patient and patient care activities.

These standards will be relevant to any new developments in data sets, messages, or computer applications; or where major revisions to any of these are envisaged.

---

The NHS Information Standards Board (NHS ISB) is responsible for approving information standards. The NHS ISB is supported by the NHS Information Standards Advisory Board

The packaging of standards document is under review. Any changes will be notified in due course.

**<http://www.nhsia.nhs.uk/dscn/pages/default.asp> and on the NHSnet at:  
<http://nww.nhsia.nhs.uk/dscn/pages/default.asp>**

### NHS Information Authority

#### Data Standards and Information Programme

<b>Reference:</b>	Change Request 335M
<b>Version No:</b>	1.55
<b>Subject:</b>	Meta Model
<b>Type of Change:</b>	Fundamental Data standards
<b>Effective Date:</b>	Immediate
<b>Reason for Change:</b>	The purpose of the meta model is to cohesively support the development and maintenance of NHS data standards in a consistent and integrated manner that also supports the business process within and across the NHS, and with other non-NHS organisations involved with the care of patients.

#### Background:

The current NHS Data Dictionary data model has developed over the past 12 years. It supports the collection, exchange and comparison of primarily secondary care data based upon an organisation and administrative perspective. Increasingly the need is to have a data model which, whilst still supporting all the organisational needs, is based primarily upon the patient and is focused upon patient care and patient journeys within and across organisations.

Recent data standards development work associated with Revision of Waiting and Booking Information (RoWBI), clinical data sets, patient based central returns and e-gov/e-gif all require or would benefit from a patient based data model which also reflects the business process within the NHS. Therefore, the meta data model will be person/clinical centric rather than organisation centric. It will be based around generic 'activity' for a person/patient at an 'activity location' using 'resources'.

The meta data model will form the underpinning common structure which can be used by all future data sets related to patients and care activity whether they be 'administrative', 'clinical', 'management' etc.

A full review of the NHS Data Dictionary has been done in order to bring existing information into line with the Meta Data Model. This is to facilitate support of legacy data standards and alignment with NPfIT. This will therefore enable both legacy data standards and new data standards to be supported during the implementation of and migration to NPfIT. There may be further pieces of work which follow to ensure consistency of the NHS Data Dictionary with the National Programme and other evolving data standards.

#### Summary of changes:

##### **Class Definitions**

<a href="#">META ACTIVITY</a>	New Class
<a href="#">META ACTIVITY QUALIFIER</a>	New Class
<a href="#">META ACTIVITY SITE</a>	New Class
<a href="#">META AGENT</a>	New Class
<a href="#">META CARE ACTIVITY</a>	New Class
<a href="#">META CARE ACTIVITY CONTEXT</a>	New Class
<a href="#">META CARE ACTIVITY DIRECT</a>	New Class
<a href="#">META CARE ACTIVITY IN CONTEXT</a>	New Class
<a href="#">META CARE PATHWAY USE</a>	New Class
<a href="#">META CARE PROFESSIONAL</a>	New Class
<a href="#">META CARER FOR PERSON</a>	New Class
<a href="#">META CARE SPELL</a>	New Class
<a href="#">META CHANGE ACTIVITY STATE</a>	New Class

<a href="#">META CONTRACTOR</a>	New Class
<a href="#">META CONTRACTUAL RELATIONSHIP</a>	New Class
<a href="#">META DIRECT ACTIVITY QUALIFIER</a>	New Class
<a href="#">META DIRECT PERSON PROPERTY QUALIFIER</a>	New Class
<a href="#">META EMPLOYEE</a>	New Class
<a href="#">META HEALTH AND SOCIAL CARE ISSUE</a>	New Class
<a href="#">META INDIRECT ACTIVITY QUALIFIER</a>	New Class
<a href="#">META INDIRECT PERSON PROPERTY QUALIFIER</a>	New Class
<a href="#">META ORGANISATION</a>	New Class
<a href="#">META ORGANISATION SITE</a>	New Class
<a href="#">META ORGANISATION STRUCTURE</a>	New Class
<a href="#">META PATIENT</a>	New Class
<a href="#">META PERSON</a>	New Class
<a href="#">META PERSON OBSERVATION</a>	New Class
<a href="#">META PERSON PROPERTY</a>	New Class
<a href="#">META PERSON PROPERTY QUALIFIER</a>	New Class
<a href="#">META PERSON RELATIONSHIP</a>	New Class
<a href="#">META PERSON ROLE IN ORGANISATION</a>	New Class
<a href="#">META PLACE</a>	New Class
<a href="#">META POST</a>	New Class
<a href="#">META RESOURCE HELD</a>	New Class
<a href="#">META RESOURCE USAGE</a>	New Class
<a href="#">META ROLE IN ACTIVITY</a>	New Class
<a href="#">META SERVICE OFFERED</a>	New Class
<a href="#">META SESSION</a>	New Class
<a href="#">META TIME SLOT</a>	New Class
<b>Attribute Definitions</b>	
<a href="#">META ACTIVITY IDENTIFIER</a>	New Attribute
<a href="#">META ACTIVITY QUALIFIER IDENTIFIER</a>	New Attribute
<a href="#">META ACTIVITY STATE ATTAINED DATE</a>	New Attribute
<a href="#">META ACTIVITY STATE ATTAINED TIME</a>	New Attribute
<a href="#">META ACTIVITY STATE ATTAINED TYPE</a>	New Attribute
<a href="#">META AGENT IDENTIFIER</a>	New Attribute
<a href="#">META CARE SPELL IDENTIFIER</a>	New Attribute
<a href="#">META CONTRACT IDENTIFIER</a>	New Attribute
<a href="#">META ORGANISATION IDENTIFIER</a>	New Attribute
<a href="#">META ORGANISATION SITE IDENTIFIER</a>	New Attribute
<a href="#">META ORGANISATION TYPE</a>	New Attribute
<a href="#">META PERSON IDENTIFIER</a>	New Attribute
<a href="#">META PERSON PROPERTY IDENTIFIER</a>	New Attribute

<a href="#">META PERSON PROPERTY QUALIFIER IDENTIFIER</a>	New Attribute
<a href="#">META POST IDENTIFIER</a>	New Attribute
<a href="#">META POST TYPE</a>	New Attribute
<a href="#">META SERVICE OFFERED TYPE</a>	New Attribute
<a href="#">META SESSION START TIME</a>	New Attribute
<b>Diagrams</b>	
<a href="#">META ACTIVITY+PERSON PROPERTY QUALIFIERS META ACTIVITY AND PERSON PROPERTY QUALIFIERS</a>	New Diagram
<a href="#">META MODEL REFERENCE OVERVIEW META MODEL REFERENCE OVERVIEW</a>	New Diagram
<a href="#">PERSON ROLE IN ORGANSATION META MODEL PERSON ROLE IN ORGANSATION META MODEL</a>	New Diagram
<b>Packages</b>	
<a href="#">META DATA MODEL</a>	New Package

**Name:** Norma Southwood

**Date:** 10 February 2004

**Sponsor:** DISP

**Note:** Additions shown in highlighted with a blue background. Deletions are shown using strikethrough.

## META ACTIVITY

Change to Class: New Class

### META ACTIVITY

This is a meta model class.

A activity which has an identifiable purpose and uses one or more resource in performance of it.

This is used as a general class that groups all activities. It identifies the characteristics that apply to all kinds of activities. Sub types of META ACTIVITY show the particular business activities and their attributes and relationships that relate to the care profession. These include:

- Clinical Interventions
- Clinics
- Appointments

Each META ACTIVITY must have one or more [META CHANGE ACTIVITY STATES](#) which are identified by specific subtypes. Each state represents an instance of an event for the META ACTIVITY.

A META ACTIVITY may be broken down into a related series of subordinate META ACTIVITIES all of which must be related to the owning META ACTIVITY.

**This class is also known by these names:**

Context	Alias
plural	META ACTIVITIES

*Attributes of this Class are:*

K [META ACTIVITY IDENTIFIER](#)

*Each META ACTIVITY*

must be activity with one or more [META CHANGE ACTIVITY STATE](#)

may be qualified by one or more [META ACTIVITY QUALIFIER](#)

may be carried out at one and only one [META ACTIVITY SITE](#)

may be comprise qualification of one or more [META DIRECT ACTIVITY QUALIFIER](#)

may be related to one or more [META PERSON PROPERTY QUALIFIER](#)

may be user of one and only one [META RESOURCE USAGE](#)

may be activity for one and only one [META ROLE IN ACTIVITY](#)

[top](#)

---

## META ACTIVITY QUALIFIER

Change to Class: New Class

## META ACTIVITY QUALIFIER

This is a meta model class.

Additional information about a [META ACTIVITY](#). It may be intrinsic to the META ACTIVITY, e.g. the body site or approach for a surgical procedure, an association to another META ACTIVITY, e.g. that one META ACTIVITY is part of another, or an association with a [META PERSON PROPERTY](#), e.g. that a particular diagnosis is the reason for performing a META ACTIVITY.

**This class is also known by these names:**

Context	Alias
plural	META ACTIVITY QUALIFIERS

*Attributes of this Class are:*

K [META ACTIVITY QUALIFIER IDENTIFIER](#)

*Each META ACTIVITY QUALIFIER*

may be relate to one and only one [META ACTIVITY](#)

or may be relate to one and only one [META PERSON PROPERTY](#)

may be further qualified by one or more [META INDIRECT ACTIVITY QUALIFIER](#)

[top](#)

## META ACTIVITY SITE

Change to Class: New Class

### META ACTIVITY SITE

This is a meta model class.

A location at which a [META ACTIVITY](#) occurs.

'In ambulance DDF334J' would be a valid activity site. It is possible for an activity, such as transporting a META PATIENT, equipment or stores, to start and end at different locations, associated with the 'start' and final' instances of [META CHANGE ACTIVITY STATES](#).

This class is also known by these names:

Context	Alias
plural	META ACTIVITY SITES

This class has no attributes.

Each META ACTIVITY SITE

- K must be the site of one and only one [META ACTIVITY](#)
- K must be performed by one and only one [META ORGANISATION SITE](#)
- K or must be performed at one and only one [META PLACE](#)

[top](#)

## META AGENT

Change to Class: New Class

### META AGENT

This is a meta model class.

Someone or something that can act purposefully. It may be a [META ORGANISATION](#), a [META PERSON](#) or person playing a role. - The 'someone' may be a META CARE PROFESSIONAL such as a specific GP, or a META PERSON/META CARE PROFESSIONAL playing a META PERSON ROLE IN ORGANISATION, for example Mr Smith, Consultant cardiologist, St Elsewheres Hospital Trust.

Sub types of META AGENT include:

- [META PERSON ROLE IN ORGANISATION](#) Mr Smith, Consultant Cardiologist etc
- [META CARER FOR PERSON](#) Mr Arthur Springs, Husband
- [META ORGANISATION](#) e.g. Mental Health Care Team etc.

This class is also known by these names:

Context	Alias
---------	-------

plural

META AGENTS

Attributes of this Class are:

K [META AGENT IDENTIFIER](#)

Each META AGENT

may be played by one and only one [META PERSON](#)

may be controlling one or more [META RESOURCE HELD](#)

may be perform one or more [META ROLE IN ACTIVITY](#)

[top](#)

## META CARE ACTIVITY

Change to Class: New Class

### META CARE ACTIVITY

This is a meta model class.

A type of [META ACTIVITY](#).

An activity can be concerned with the assessment (e.g. weigh patient, assess housing needs), diagnosis, treatment or care of a [META PATIENT](#), or that supports the provision of care (request analysis of sample, recall patient) to a subject of care (e.g. META PATIENT).

Examples of a META CARE ACTIVITY include:

[OUT-PATIENT ATTENDANCE CONSULTANT](#)

[THEATRE CASE](#)

[HOSPITAL PROVIDER SPELL](#)

Each META CARE ACTIVITY may have one or more states which are identified by specific [META CHANGE ACTIVITY STATE](#). Each state represents an instance of an event for the META CARE ACTIVITY.

A META CARE ACTIVITY may be broken down into a related series of subordinate META CARE ACTIVITIES all of which must be related to the owning META CARE ACTIVITY. Each subordinate META CARE ACTIVITY may be further broken down into a related series of subordinate META CARE ACTIVITIES and so on and so on.

For example, a HOSPITAL PROVIDER SPELL could involve several [WARD STAYS](#), [CLINICAL INTERVENTIONS](#) or required activities such as x-rays to be carried out at different times during the period of the spell. Each of these CLINICAL INTERVENTIONS or activities are themselves META CARE ACTIVITIES each of which can be separately scheduled and provided in the same way as the HOSPITAL PROVIDER SPELL itself.

This class is also known by these names:

Context	Alias
plural	META CARE ACTIVITIES

This class has no attributes.

Each **META CARE ACTIVITY**

**K** must be the activity for one and only one **META PATIENT**  
must be directed towards one and only one **META HEALTH AND SOCIAL CARE ISSUE**

[top](#)

---

## META CARE ACTIVITY CONTEXT

Change to Class: New Class

### META CARE ACTIVITY CONTEXT

This is a meta model class.

A **META CARE ACTIVITY** which enables direct care provision to take place e.g. 'attend GP consultation', 'have an inpatient spell', 'attend single assessment meeting'.

For example, Alice Spring's 'wart was removed' (**META CARE ACTIVITY DIRECT**) during her 'GP consultation on 10:50 - 11:10 07/02/2002' (**META CARE ACTIVITY CONTEXT**). A **META CARE ACTIVITY DIRECT** can span more than one **META CARE ACTIVITY CONTEXT**, e.g. providing chemotherapy for lymphoma would usually involve consultations to administer the repeated doses required.

**This class is also known by these names:**

Context	Alias
plural	META CARE ACTIVITIES CONTEXT

*This class has no attributes.*

Each **META CARE ACTIVITY CONTEXT**

must be associated with one or more **META TIME SLOT**  
may be context activity for one or more **META CARE ACTIVITY IN CONTEXT**

[top](#)

---

## META CARE ACTIVITY DIRECT

Change to Class: New Class

### META CARE ACTIVITY DIRECT

This is a meta model class.

A **META CARE ACTIVITY** which directly changes the state of, and/or provides information about the **META PATIENT**. For example 'perform appendectomy', 'take blood pressure', 'provide home help'. **META CARE ACTIVITIES DIRECT** include **CLINICAL INTERVENTIONS**.



This class is also known by these names:

Context	Alias
plural	META CARE ACTIVITIES DIRECT

This class has no attributes.

Each META CARE ACTIVITY DIRECT

may be care activity for one or more [META CARE ACTIVITY IN CONTEXT](#)

[top](#)

---

## META CARE ACTIVITY IN CONTEXT

Change to Class: New Class

### META CARE ACTIVITY IN CONTEXT

This is a meta model class.

A relationship between a [META CARE ACTIVITY DIRECT](#) and the [META CARE ACTIVITY CONTEXT](#) in which it occurs. For example Alice Spring's wart was removed (META CARE ACTIVITY DIRECT) during her 'GP consultation on 10:50 - 11:10 7/2/2002' (META CARE ACTIVITY CONTEXT).

A META CARE ACTIVITY DIRECT can span more than one META CARE ACTIVITY CONTEXT, e.g. providing chemotherapy for lymphoma would usually involve consultations to administer the repeated doses required.

This class is also known by these names:

Context	Alias
plural	META ACTIVITIES IN CONTEXT

This class has no attributes.

Each META CARE ACTIVITY IN CONTEXT

K must be activity for one and only one [META CARE ACTIVITY CONTEXT](#)

K must be context for one and only one [META CARE ACTIVITY DIRECT](#)

[top](#)

---

## META CARE PATHWAY USE

Change to Class: New Class

### META CARE PATHWAY USE

This is a meta model class.

A care pathway that is being used to guide the care provided for, and collate the information collected about, a particular [META HEALTH AND SOCIAL CARE ISSUE](#) for a [META PATIENT](#).

**This class is also known by these names:**

Context	Alias
plural	META CARE PATHWAYS USE

*This class has no attributes.*

Each [META CARE PATHWAY USE](#)

K must be for the care of one and only one [META HEALTH AND SOCIAL CARE ISSUE](#)

[top](#)

---

## META CARE PROFESSIONAL

Change to Class: New Class

### META CARE PROFESSIONAL

This is a meta model class.

A type of [META PERSON ROLE IN ORGANISATION](#) who is professionally qualified to practise the delivery of care services, such as a GP, nurse or social worker.

Note: a comprehensive description of this meta class can be found in its associated sub-type class [HEALTH CARE PROFESSIONAL](#).

**This class is also known by these names:**

Context	Alias
plural	META CARE PROFESSIONALS

*This class has no attributes.*

*This class has no relationships.*

[top](#)

---

## META CARER FOR PERSON

Change to Class: New Class

### META CARER FOR PERSON

This is a meta model class.

A type of [META AGENT](#) in which one [META PERSON](#) provides non-professional care for another [META PERSON](#). They are not directly employed to do so, although they may receive an allowance for providing care. For example, Arthur Springs cares for his wife, Alice.

**This class is also known by these names:**

Context	Alias
plural	META CARERS FOR PERSON

*This class has no attributes.*

*Each META CARER FOR PERSON*

K must be performed by one and only one [META PERSON](#)

K must be caring for one and only one [META PERSON](#)

[top](#)

---

## META CARE SPELL

Change to Class: New Class

## META CARE SPELL

This is a meta data class.

A [META CARE SPELL](#) starts at the start date and start time of the earliest activity associated with it, which is usually the activity which identified the [META HEALTH AND SOCIAL CARE ISSUE](#). It ends when the care issue is resolved, the [META PATIENT](#) dies, the [META PATIENT](#) quits care or nothing more can be done for the [META HEALTH AND SOCIAL CARE ISSUE](#) concerned.

Note: a comprehensive description of this meta class can be found in its associated sub-type class [CARE SPELL](#).

**This class is also known by these names:**

Context	Alias
plural	META CARE SPELLS

*Attributes of this Class are:*

K [META CARE SPELL INDENTIFIER](#)

*Each META CARE SPELL*

K must be the focus of one and only one [META HEALTH AND SOCIAL CARE ISSUE](#)

[top](#)

## META CHANGE ACTIVITY STATE

Change to Class: New Class

### META CHANGE ACTIVITY STATE

This is a meta model class.

A type of [META ACTIVITY](#).

A [META ACTIVITY](#) that moves another [META ACTIVITY](#) to another stage in its lifecycle.

[META ACTIVITY](#) state changes are considered to take place instantaneously (although changing a [META ACTIVITY](#)'s state may be under consideration or proposed for any period of time).

Not all types of [META ACTIVITY](#) can assume all states. The full state history for a [META ACTIVITY](#) is usually only recorded for workflow management/resource allocation purposes.

**This class is also known by these names:**

Context	Alias
plural	META CHANGE ACTIVITY STATES

*Attributes of this Class are:*

K	<a href="#">META ACTIVITY STATE ATTAINED DATE</a>
K	<a href="#">META ACTIVITY STATE ATTAINED TIME</a>
K	<a href="#">META ACTIVITY STATE ATTAINED TYPE</a>

*Each META CHANGE ACTIVITY STATE*

K	must be a state for one and only one <a href="#">META ACTIVITY</a> may be collector of one or more <a href="#">META PERSON PROPERTY</a>
---	--

[top](#)

## META CONTRACTOR

Change to Class: New Class

### META CONTRACTOR

This is a meta data class.

A [META PERSON](#) who works for a [META ORGANISATION](#) other than a [META EMPLOYEE](#), for example a contract analyst, an agency nurse etc.

**This class is also known by these names:**

Context	Alias
---------	-------

plural	META CONTRACTORS
--------	------------------

*This class has no attributes.*

*This class has no relationships.*

[top](#)

---

## META CONTRACTUAL RELATIONSHIP

Change to Class: New Class

### META CONTRACTUAL RELATIONSHIP

This is a meta model class.

A legal relationship between a [META PERSON](#) who works for a [META ORGANISATION](#) and that META ORGANISATION, for example an employment contract.

**This class is also known by these names:**

Context	Alias
plural	META CONTRACTUAL RELATIONSHIPS

*Attributes of this Class are:*

K [META CONTRACT IDENTIFIER](#)

*Each META CONTRACTUAL RELATIONSHIP*

*must be based upon one or more [META PERSON ROLE IN ORGANISATION](#)  
may be associated with one and only one [META POST](#)*

[top](#)

---

## META DIRECT ACTIVITY QUALIFIER

Change to Class: New Class

### META DIRECT ACTIVITY QUALIFIER

This is a meta data class.

A type of [META ACTIVITY QUALIFIER](#) that qualifies a [META ACTIVITY](#) directly. For example, the qualifier 'body site' and 'approach' would probably be META DIRECT ACTIVITY QUALIFIERS for a META ACTIVITY that was a surgical procedure.

**This class is also known by these names:**

Context	Alias
plural	META DIRECT ACTIVITY QUALIFIERS

*This class has no attributes.*

Each META DIRECT ACTIVITY QUALIFIER

K must be qualifier for one and only one [META ACTIVITY](#)

[top](#)

## META DIRECT PERSON PROPERTY QUALIFIER

Change to Class: New Class

## META DIRECT PERSON PROPERTY QUALIFIER

This is a meta model class.

A type of [META PERSON PROPERTY QUALIFIER](#) that qualifies a [META ACTIVITY](#) directly.

For example, the qualifier 'severity' might be a META DIRECT PERSON PROPERTY QUALIFIER for a [META PERSON PROPERTY](#) that was a finding of some sort.

**This class is also known by these names:**

Context	Alias
plural	META DIRECT PERSON PROPERTY QUALIFIERS

*This class has no attributes.*

Each META DIRECT PERSON PROPERTY QUALIFIER

K must be a qualifier as part of one and only one [META PERSON PROPERTY](#)

[top](#)

## META EMPLOYEE

Change to Class: New Class

## META EMPLOYEE

This is a meta data class.

A type of [META CONTRACTUAL RELATIONSHIP](#).

A [META PERSON](#) who is or was on a [META ORGANISATION](#)'s payroll and has (or had) a contract of employment.

Note: a comprehensive description of this meta class can be found in its associated sub-type class [EMPLOYEE](#).

This class is also known by these names:

Context	Alias
plural	META EMPLOYEES

This class has no attributes.

This class has no relationships.

[top](#)

## META HEALTH AND SOCIAL CARE ISSUE

Change to Class: New Class

## META HEALTH AND SOCIAL CARE ISSUE

This is a meta model class.

A [META PERSON PROPERTY](#) towards which care is directed. It may be a diagnosis, sign, symptom or any other [META PERSON PROPERTY](#)

Only a minority of [META PERSON PROPERTIES](#) become [META HEALTH AND SOCIAL CARE ISSUES](#): for example the mum-to-be's weights and blood pressures would not become [META HEALTH AND SOCIAL CARE ISSUES](#) unless they were sufficiently abnormal to become foci of care in their own right. Examples: a ruptured spleen, pregnancy, high blood pressure, malaria infection.

A single [META HEALTH AND SOCIAL CARE ISSUE](#) will provide the focus for a [META CARE SPELL](#). For example, Diabetes, AMI, Mental Health, Cancer.

This class is also known by these names:

Context	Alias
plural	META HEALTH AND SOCIAL CARE ISSUES

This class has no attributes.

Each [META HEALTH AND SOCIAL CARE ISSUE](#)

- K must be required for one and only one [META PERSON PROPERTY](#)
- must be the focus of one and only one [META CARE SPELL](#)
- must be performed by one or more [META PERSON PROPERTY](#)
- may be the focus of one or more [META CARE ACTIVITY](#)
- may be treated as defined by one or more [META CARE PATHWAY USE](#)
- may be requiring associations to one or more [META PERSON PROPERTY](#)

[top](#)

## META INDIRECT ACTIVITY QUALIFIER

Change to Class: New Class

### META INDIRECT ACTIVITY QUALIFIER

This is a meta data class.

A type of [META ACTIVITY QUALIFIER](#) that qualifies a [META ACTIVITY QUALIFIER](#) rather than the [META ACTIVITY](#) directly.

For example, the [META INDIRECT ACTIVITY QUALIFIER](#) 'appendix condition' might be used to qualify the [META DIRECT ACTIVITY QUALIFIER](#) 'body site: appendix' of a [META ACTIVITY](#) 'appendectomy' to record whether the appendix removed was inflamed on the point of bursting etc. Indirect qualifiers allow recursive qualification of a qualifier to any depth.

This class is also known by these names:

Context	Alias
plural	META INDIRECT ACTIVITY QUALIFIERS

*This class has no attributes.*

Each [META INDIRECT ACTIVITY QUALIFIER](#)

K must be a further qualifier for one and only one [META ACTIVITY QUALIFIER](#)

[top](#)

## META INDIRECT PERSON PROPERTY QUALIFIER

Change to Class: New Class

### META INDIRECT PERSON PROPERTY QUALIFIER

This is a meta model class.

A type of [META PERSON PROPERTY QUALIFIER](#) that qualifies another [META INDIRECT ACTIVITY QUALIFIER](#) rather than the [META PERSON PROPERTY](#) directly.

For example, the [META INDIRECT PERSON PROPERTY QUALIFIER](#) 'part of bone' might be used to qualify the [META DIRECT PERSON PROPERTY QUALIFIER](#) 'bone' of a [META PERSON PROPERTY](#) 'fracture of bone' to record exactly where in the bone the fracture occurred. Indirect qualifiers allow recursive qualification of a qualifier to any depth.

This class is also known by these names:

Context	Alias
---------	-------



plural

## META INDIRECT PERSON PROPERTY QUALIFIERS

*This class has no attributes.*

*Each META INDIRECT PERSON PROPERTY QUALIFIER*

K must be a further qualifier for one and only one [META PERSON PROPERTY QUALIFIER](#)

[top](#)

## META ORGANISATION

Change to Class: [New Class](#)

### META ORGANISATION

This is a meta model class.

A type of [META AGENT](#) comprising one or more people with a common purpose of function (eg. a General Practice). This includes public, private or voluntary sector organisations whose activities encompass the funding or provision of health care and support services.

Note: a comprehensive description of this meta class can be found in its associated sub-type class [ORGANISATION](#).

**This class is also known by these names:**

Context	Alias
plural	<a href="#">META ORGANISATIONS</a>

*Attributes of this Class are:*

K [META ORGANISATION IDENTIFIER](#)  
[META ORGANISATION TYPE](#)

*Each META ORGANISATION*

may be the operator or manager of one or more [META ORGANISATION SITE](#)

may be related to one or more [META ORGANISATION STRUCTURE](#)

may be related from one or more [META ORGANISATION STRUCTURE](#)

may be connected with one or more [META PERSON ROLE IN ORGANISATION](#)

may be responsible for one or more [META POST](#)

may be the operator or manager of one or more [META SERVICE OFFERED](#)

[top](#)

## META ORGANISATION SITE

Change to Class: [New Class](#)

## META ORGANISATION SITE

This is a meta data class.

Note: a comprehensive description of this meta class can be found in its associated sub-type class [ORGANISATION SITE](#).

This class is also known by these names:

Context	Alias
plural	META ORGANISATION SITES

Attributes of this Class are:

K [META ORGANISATION SITE IDENTIFIER](#)

Each META ORGANISATION SITE

K must be operated and managed by one and only one [META ORGANISATION](#)  
may be act as one or more [META ACTIVITY SITE](#)  
may be responsible for one or more [META PLACE](#)

[top](#)

## META ORGANISATION STRUCTURE

Change to Class: New Class

## META ORGANISATION STRUCTURE

This is a meta model class.

Note: a comprehensive description of this meta class can be found in its associated sub-type class [ORGANISATION STRUCTURE](#).

This class is also known by these names:

Context	Alias
plural	META ORGANISATION STRUCTURES

This class has no attributes.

Each META ORGANISATION STRUCTURE

K must be related to one and only one [META ORGANISATION](#)  
K must be related from one and only one [META ORGANISATION](#)

[top](#)

## META PATIENT

Change to Class: New Class

### META PATIENT

This is a meta model class.

A type of [META PERSON ROLE IN ORGANISATION](#).

Note: a comprehensive description of this meta class can be found in its associated sub-type class [PATIENT](#).

This class is also known by these names:

Context	Alias
plural	META PATIENTS

*This class has no attributes.*

*Each META PATIENT*

may be the subject of one or more [META CARE ACTIVITY](#)

[top](#)

## META PERSON

Change to Class: New Class

### META PERSON

This is a meta model class.

An individual human being about whom information is maintained.

Note: a comprehensive description of this meta class can be found in its associated sub-type class [PERSON](#).

This class is also known by these names:

Context	Alias
plural	META PERSONS

*Attributes of this Class are:*

K [META PERSON IDENTIFIER](#)

*Each META PERSON*

may be act as one or more [META AGENT](#)

may be cared for by one or more [META CARER FOR PERSON](#)

may be act as one or more [META CARER FOR PERSON](#)  
may be has one or more [META PERSON PROPERTY](#)  
may be related to one or more [META PERSON RELATIONSHIP](#)  
may be related from one or more [META PERSON RELATIONSHIP](#)  
may be the holder of one or more [META PERSON ROLE IN ORGANISATION](#)

[top](#)

## META PERSON OBSERVATION

Change to Class: New Class

### META PERSON OBSERVATION

This is a meta model class.

A type of [META PERSON PROPERTY](#) covering observations made regarding a [META PERSON](#).

Note: a comprehensive description of this meta class can be found in its associated sub-type class [PERSON OBSERVATION](#).

**This class is also known by these names:**

Context	Alias
plural	META PERSON OBSERVATIONS

*This class has no attributes.*

*This class has no relationships.*

[top](#)

## META PERSON PROPERTY

Change to Class: New Class

### META PERSON PROPERTY

This is a meta model class

An aspect of a [META PERSONS](#) condition or state, for example a social care need, a symptom, a sign or a diagnosis.

**This class is also known by these names:**

Context	Alias

plural	META PERSON PROPERTIES
--------	------------------------

Attributes of this Class are:

K [META PERSON PROPERTY IDENTIFIER](#)

Each META PERSON PROPERTY

K must be collected by one and only one [META CHANGE ACTIVITY STATE](#)

K must be the property of one and only one [META PERSON](#)

may be related to one or more [META ACTIVITY QUALIFIER](#)

may be comprise qualifiers one or more [META DIRECT PERSON PROPERTY QUALIFIER](#)

may be required by one and only one [META HEALTH AND SOCIAL CARE ISSUE](#)

may be relevant to one or more [META HEALTH AND SOCIAL CARE ISSUE](#)

may be acts as one and only one [META HEALTH AND SOCIAL CARE ISSUE](#)

may be qualified by one or more [META PERSON PROPERTY QUALIFIER](#)

[top](#)

## META PERSON PROPERTY QUALIFIER

Change to Class: New Class

### META PERSON PROPERTY QUALIFIER

This is a meta model class.

A feature that provides additional information about a [META PERSON PROPERTY](#). It may be intrinsic to the META PERSON PROPERTY, e.g. its normality or desirability, an association to another META PERSON PROPERTY, e.g. that one META PERSON PROPERTY is the basis for establishing another, or an association with a [META ACTIVITY](#), e.g. that a particular META PERSON PROPERTY is the outcome of performing a META ACTIVITY.

This class is also known by these names:

Context	Alias
plural	META PERSON PROPERTY QUALIFIERS

Attributes of this Class are:

K [META PERSON PROPERTY QUALIFIER IDENTIFIER](#)

Each META PERSON PROPERTY QUALIFIER

may be related to one and only one [META ACTIVITY](#)

or may be related to one and only one [META PERSON PROPERTY](#)

may be further qualified by one or more [META INDIRECT PERSON PROPERTY QUALIFIER](#)

[top](#)

## META PERSON RELATIONSHIP

Change to Class: New Class

## META PERSON RELATIONSHIP

This is a meta data class.

Note: a comprehensive description of this meta class can be found in its associated sub-type class [PERSON RELATIONSHIP](#).

This class is also known by these names:

Context	Alias
plural	META PERSON RELATIONSHIPS

This class has no attributes.

Each META PERSON RELATIONSHIP

K must be related to one and only one [META PERSON](#)

K must be related from one and only one [META PERSON](#)

[top](#)

## META PERSON ROLE IN ORGANISATION

Change to Class: New Class

## META PERSON ROLE IN ORGANISATION

This is a meta data class.

A type of [META AGENT](#) representing an association between a [META PERSON](#) and a [META ORGANISATION](#).

Note: a comprehensive description of this meta class can be found in its associated sub-type class [PERSON ROLE IN ORGANISATION](#).

This class is also known by these names:

Context	Alias
plural	META PERSON ROLE IN ORGANISATIONS

This class has no attributes.

Each META PERSON ROLE IN ORGANISATION

K must be a role within one and only one [META ORGANISATION](#)

K must be held by one and only one [META PERSON](#)

may be detailed within one or more [META CONTRACTUAL RELATIONSHIP](#)

[top](#)

## META PLACE

Change to Class: New Class

### META PLACE

This is a meta model class.

A physical location where [META PATIENTS](#) are seen or where services exist or from which requests for services are sent or any other place of interest to a [META ORGANISATION](#).

This class is also known by these names:

Context	Alias
plural	META PLACES

*This class has no attributes.*

*Each META PLACE*

may be act as one or more [META ACTIVITY SITE](#)

may be organised by one and only one [META ORGANISATION SITE](#)

[top](#)

## META POST

Change to Class: New Class

### META POST

This is a meta model class.

A position to which a [META PERSON](#) may be assigned within an [ORGANISATION](#).

This class is also known by these names:

Context	Alias
plural	META POSTS

*Attributes of this Class are:*

K [META POST IDENTIFIER](#)

[META POST TYPE](#)

*Each META POST*

K must be the responsibility of one and only one [META ORGANISATION](#) may be concerned with one or more [META CONTRACTUAL RELATIONSHIP](#)

[top](#)

## META RESOURCE HELD

Change to Class: New Class

### META RESOURCE HELD

This is a meta model class.

A resource whose allocation/deployment is controlled by a [META ORGANISATION](#), and that has yet to be allocated to particular [META ACTIVITY](#).

**This class is also known by these names:**

Context	Alias
plural	META RESOURCES HELD

*This class has no attributes.*

Each [META RESOURCE HELD](#) must be controlled by one and only one [META AGENT](#)

[top](#)

## META RESOURCE USAGE

Change to Class: New Class

### META RESOURCE USAGE

This is a meta model class.

A resource consumed (or to be consumed) for an activity that takes place during a [META ACTIVITY](#).

**This class is also known by these names:**

Context	Alias
plural	META RESOURCE USAGES

*This class has no attributes.*

Each [META RESOURCE USAGE](#)



K must be used by one and only one [META ACTIVITY](#)  
may be use one and only one [META ROLE IN ACTIVITY](#)

[top](#)

## META ROLE IN ACTIVITY

Change to Class: New Class

### META ROLE IN ACTIVITY

This is a meta model class.

A role that a [META AGENT](#) plays in a [META ACTIVITY](#). For example, in an appendectomy, the roles involved might be 'surgeon', 'anaesthetist', 'scrub nurse', 'assistant surgeon', 'trainee', etc.

**This class is also known by these names:**

Context	Alias
plural	META ROLES IN ACTIVITY

*This class has no attributes.*

*Each META ROLE IN ACTIVITY*

K must be performed in one and only one [META ACTIVITY](#)

K must be played by one and only one [META AGENT](#)  
may be provided by one or more [META RESOURCE USAGE](#)

[top](#)

## META SERVICE OFFERED

Change to Class: New Class

### META SERVICE OFFERED

This is a meta data class.

A service offered by a [META AGENT](#). The type of service offered may be of varying specificity. For example 'St Elsewhere NHS Trust offers acute services'; GP Dr. Smith offers maternity care services'; 'Papworth NHS Trust offers heart transplantation'.

**This class is also known by these names:**

Context	Alias
plural	META SERVICES OFFERED

Attributes of this Class are:

K [META SERVICE OFFERED TYPE](#)

Each [META SERVICE OFFERED](#)

K must be operated and managed by one and only one [META ORGANISATION](#)  
may be provided at one or more [META SESSION](#)

[top](#)

---

## META SESSION

Change to Class: [New Class](#)

### META SESSION

This is a meta data class.

A type of [META ACTIVITY](#).

A [META ACTIVITY](#) that makes a service available to users. For example 'Run antenatal clinic on first Monday of the month during 2002', 'Provide morning GMP surgery between 0900-11:30 every weekday during November 2000'.

Examples of the [META SESSIONS](#) include:

Clinics

Theatre sessions

This class is also known by these names:

Context	Alias
plural	META SESSIONS

Attributes of this Class are:

K [META SESSION START TIME](#)

Each [META SESSION](#)

K must be the provision of one and only one [META SERVICE OFFERED](#)  
may be comprised of one or more [META TIME SLOT](#)

[top](#)

---

## META TIME SLOT

Change to Class: [New Class](#)

### META TIME SLOT

This is a meta data class.

This is the time period for a [META SESSION](#).

Slots may be of variable length and may be allocated more than once, if the original case is cancelled.

**This class is also known by these names:**

Context	Alias
plural	META TIME SLOTS

*This class has no attributes.*

Each [META TIME SLOT](#)

K must be allocated to one and only one [META CARE ACTIVITY CONTEXT](#)

K or must be contained within one and only one [META SESSION](#)

[top](#)

---

## META ACTIVITY IDENTIFIER

Change to Attribute: New Attribute

### META ACTIVITY IDENTIFIER

A unique identifier of a [META ACTIVITY](#).

**This attribute is also known by these names:**

Context	Alias
plural	META ACTIVITY IDENTIFIERS

[top](#)

---

## META ACTIVITY QUALIFIER IDENTIFIER

Change to Attribute: New Attribute

### META ACTIVITY QUALIFIER IDENTIFIER

A unique identifier for a [META ACTIVITY QUALIFIER](#).

**This attribute is also known by these names:**

Context	Alias
plural	META ACTIVITY QUALIFIER IDENTIFIERS

[top](#)

## META ACTIVITY STATE ATTAINED DATE

Change to Attribute: New Attribute

### META ACTIVITY STATE ATTAINED DATE

Identifies the date when the [META CHANGE ACTIVITY STATE](#) for a [META ACTIVITY](#) was attained.

This attribute is also known by these names:

Context	Alias
plural	META ACTIVITY STATE ATTAINED DATES

[top](#)

## META ACTIVITY STATE ATTAINED TIME

Change to Attribute: New Attribute

### META ACTIVITY STATE ATTAINED TIME

Identifies the time when the [META CHANGE ACTIVITY STATE](#) for a [META ACTIVITY](#) was attained.

This attribute is also known by these names:

Context	Alias
plural	META ACTIVITY STATE ATTAINED TIMES

[top](#)

## META ACTIVITY STATE ATTAINED TYPE

Change to Attribute: New Attribute

### META ACTIVITY STATE ATTAINED TYPE

Identifies the type of [META CHANGE ACTIVITY STATE](#) that a [META ACTIVITY](#) has attained.

This attribute is also known by these names:

--	--

Context	Alias
plural	META ACTIVITY STATE ATTAINED TYPES

[top](#)

## META AGENT IDENTIFIER

Change to Attribute: New Attribute

### META AGENT IDENTIFIER

A unique identifier of a [META AGENT](#).

This attribute is also known by these names:

Context	Alias
plural	META AGENT IDENTIFIERS

[top](#)

## META CARE SPELL INDENTIFIER

Change to Attribute: New Attribute

### META CARE SPELL INDENTIFIER

A unique identifier of a [META CARE SPELL](#).

This attribute is also known by these names:

Context	Alias
plural	META CARE SPELL IDENTIFIERS

[top](#)

## META CONTRACT IDENTIFIER

Change to Attribute: New Attribute

### META CONTRACT IDENTIFIER

A unique identifier for a [META CONTRACTUAL RELATIONSHIP](#).

This attribute is also known by these names:

Context	Alias
plural	META CONTRACT IDENTIFIERS

[top](#)

## META ORGANISATION IDENTIFIER

Change to Attribute: New Attribute

## META ORGANISATION IDENTIFIER

A unique identifier for a [META ORGANISATION](#).

This attribute is also known by these names:

Context	Alias
plural	META ORGANISATION IDENTIFIERS

[top](#)

## META ORGANISATION SITE IDENTIFIER

Change to Attribute: New Attribute

## META ORGANISATION SITE IDENTIFIER

A unique identifier for a [META ORGANISATION SITE](#).

This attribute is also known by these names:

Context	Alias
plural	META ORGANISATION SITE IDENTIFIERS

[top](#)

## META ORGANISATION TYPE

Change to Attribute: New Attribute

## META ORGANISATION TYPE

The type of a [META ORGANISATION](#).

This attribute is also known by these names:

Context	Alias
plural	META ORGANISATION TYPES

[top](#)

## META PERSON IDENTIFIER

Change to Attribute: New Attribute

## META PERSON IDENTIFIER

A unique identifier for a [META PERSON](#).

This attribute is also known by these names:

Context	Alias
plural	META PERSON IDENTIFIERS

[top](#)

## META PERSON PROPERTY IDENTIFIER

Change to Attribute: New Attribute

## META PERSON PROPERTY IDENTIFIER

A unique identifier for a [META PERSON PROPERTY](#).

This attribute is also known by these names:

Context	Alias
plural	META PERSON PROPERTY IDENTIFIERS

[top](#)

## META PERSON PROPERTY QUALIFIER IDENTIFIER

Change to Attribute: New Attribute

### META PERSON PROPERTY QUALIFIER IDENTIFIER

A unique identifier for a [META PERSON PROPERTY QUALIFIER](#).

This attribute is also known by these names:

Context	Alias
plural	META PERSON PROPERTY QUALIFIER IDENTIFIERS

[top](#)

## META POST IDENTIFIER

Change to Attribute: New Attribute

### META POST IDENTIFIER

A unique identifier of a [META POST](#).

This attribute is also known by these names:

Context	Alias
plural	META POST IDENTIFIERS

[top](#)

## META POST TYPE

Change to Attribute: New Attribute

### META POST TYPE

Identifies the type of [META POST](#).

This attribute is also known by these names:

Context	Alias
plural	META POST TYPES



[top](#)

## META SERVICE OFFERED TYPE

Change to Attribute: New Attribute

### META SERVICE OFFERED TYPE

Identifies the type of [META SERVICE OFFERED](#) by a [META ORGANISATION](#).

This attribute is also known by these names:

Context	Alias
plural	META SERVICE OFFERED TYPES

[top](#)

## META SESSION START TIME

Change to Attribute: New Attribute

### META SESSION START TIME

The time a [META SESSION](#) providing a [META SERVICE OFFERED](#) starts.

This attribute is also known by these names:

Context	Alias
plural	META SESSION START TIMES

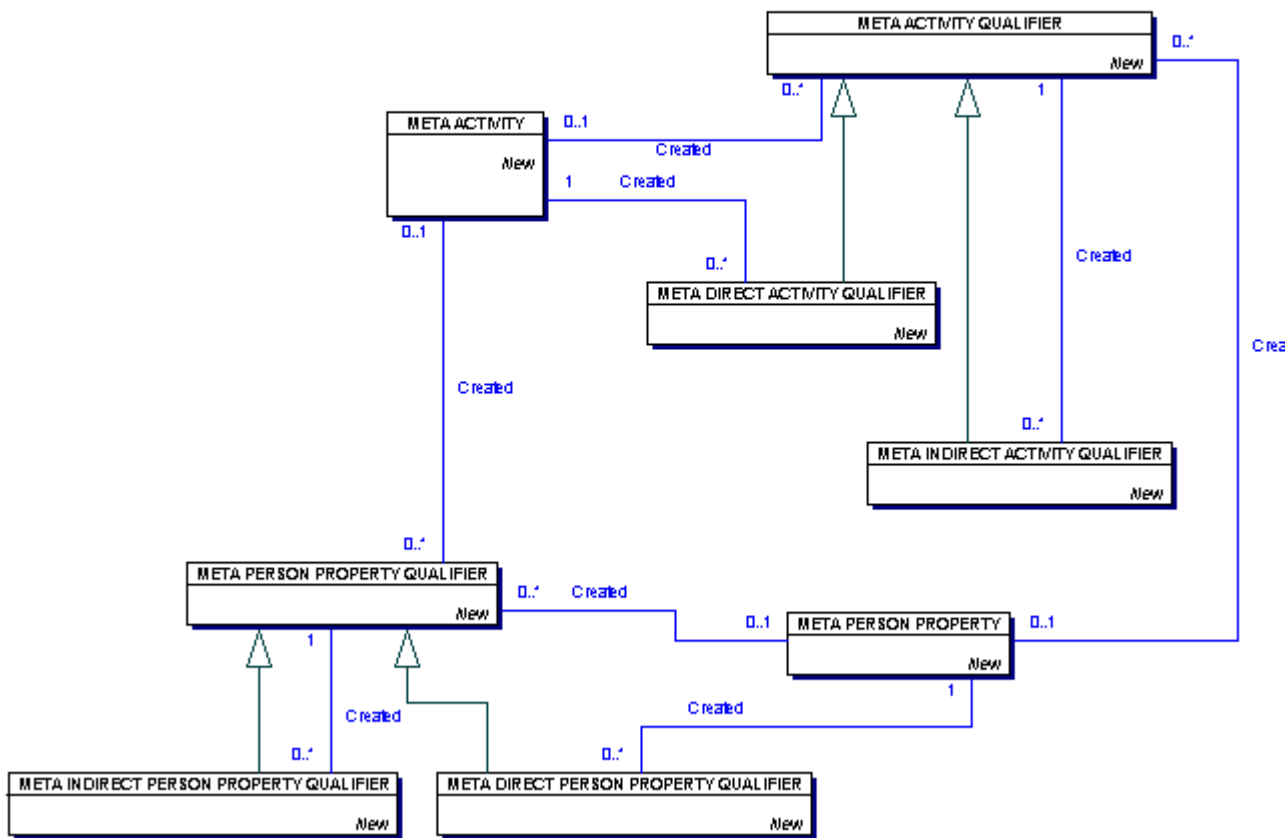
[top](#)

## META ACTIVITY+PERSON PROPERTY QUALIFIERS META ACTIVITY AND PERSON PROPERTY QUALIFIERS

Change to Diagram: New Diagram

Meta Activity+Person Property Qualifiers Meta Activity and Person Property Qualifiers

META DATA MODEL  
 META ACTIVITY AND PERSON PROPERTY QUALIFIERS DIAGRAM

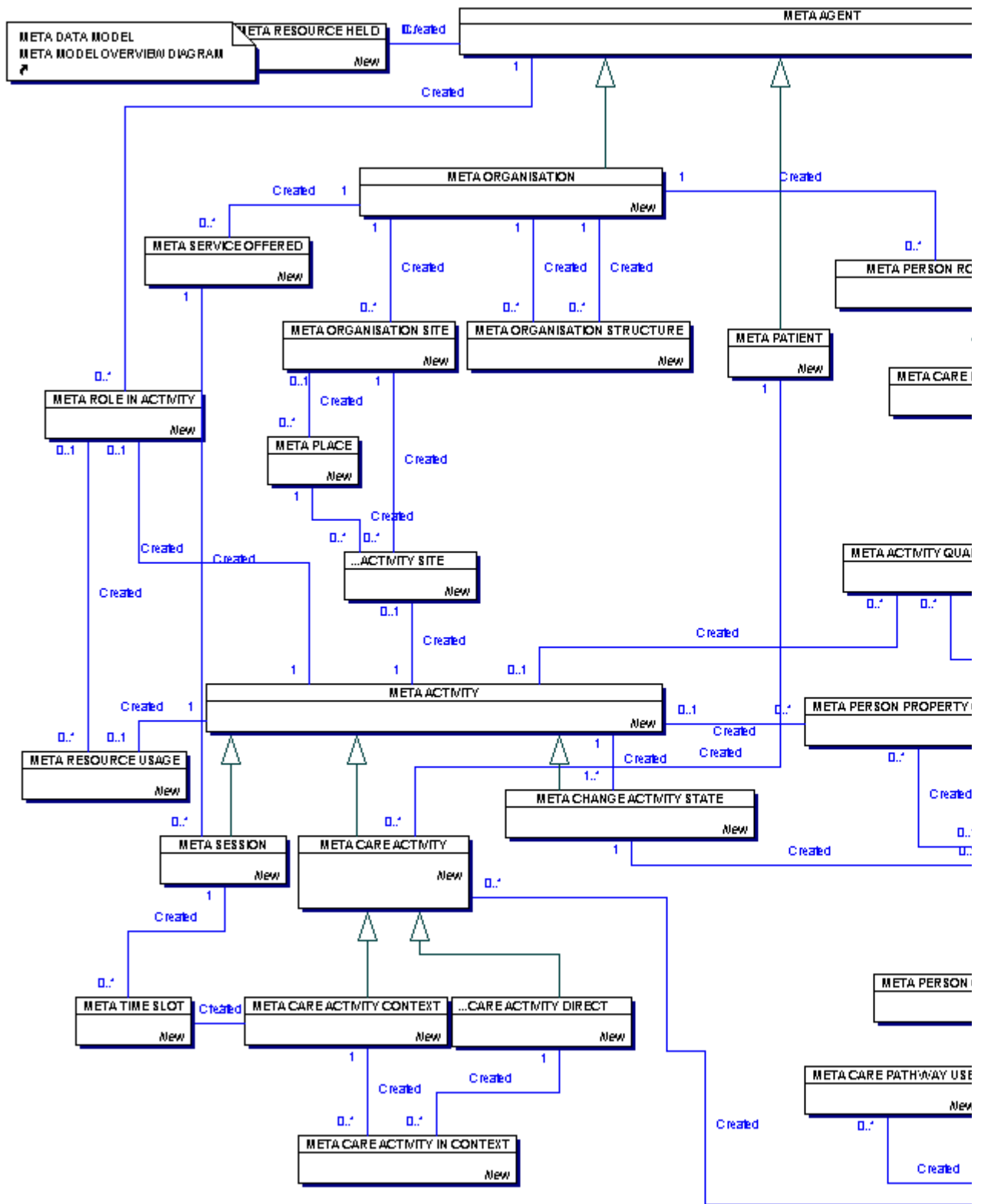


[top](#)

## META MODEL REFERENCE OVERVIEW META MODEL REFERENCE OVERVIEW

Change to Diagram: New Diagram

Meta Model Reference Overview Meta Model Reference Overview



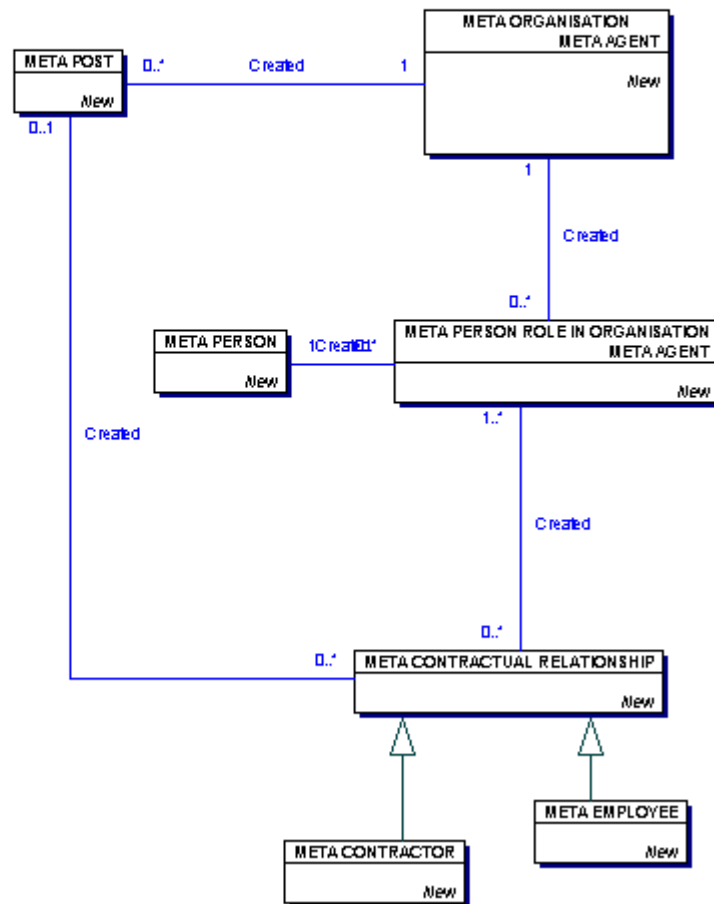
[top](#)

## PERSON ROLE IN ORGANISATION META MODEL PERSON ROLE IN ORGANISATION META MODEL

Change to Diagram: New Diagram

### Person Role in Organisation Meta model Person Role in Organisation Meta model

META DATA MODEL  
META PERSON ROLE IN ORGANISATION DIAGRAM



[top](#)

## META DATA MODEL

Change to Package: New Package

Note, this package has a fully qualified name of:

Change\_Packages.CP335.Data\_Dictionary.Diagrams.Model\_View.Meta\_Data\_Model.Meta\_Data\_Model

[top](#)