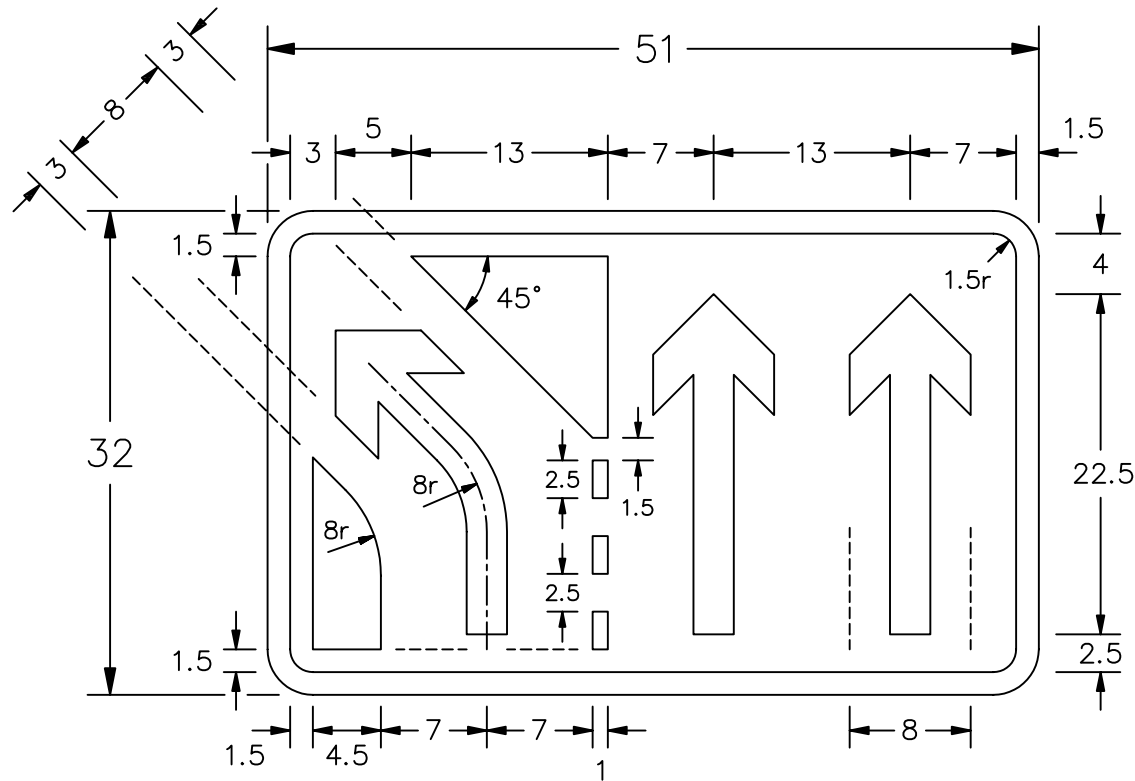
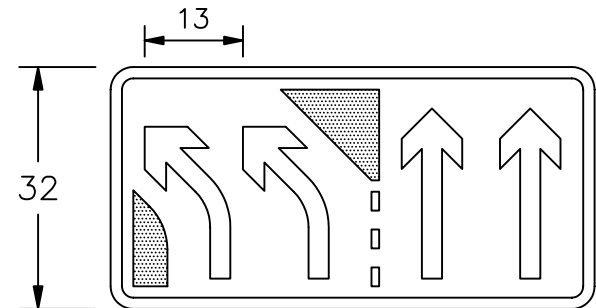


Drawing No.
P 7250

© CROWN COPYRIGHT



- NOTES: 1. COLOURS:—
 Background ----- YELLOW
 Border, Arrows & Lane Lines --- BLACK
 Blocks ----- RED
2. DIMENSIONS : Those shown are in stroke widths (1sw = ¼ of notional x-heights). The table of sign sizes shows the actual sign heights in millimetres.
3. The number of arrows may be varied to suit the circumstances. The removal or addition of each arrow (straight or curved) varies the width of the sign by 13 sw.
4. A distance plate may be added at the base of the sign (see drawing P 7256).



VARIANT

TABLE OF SIGN SIZES (mm)			
One Stroke Width	30	40	50
Width of Arrow Head	240	320	400
Height of Sign	960	1280	1600

P7250

Before using this drawing, confirm that it has not been superseded.

Department for
Transport

Title: Temporary Signs
LANE DROP

Issue: Date :
 A: 20.11.95
 B: 27.1.05
 C:
 Drawn by :
 S.P.
 Approved by :
 R.M.

Dimensions:
SEE
NOTE 2

Drawing No.
P 7250