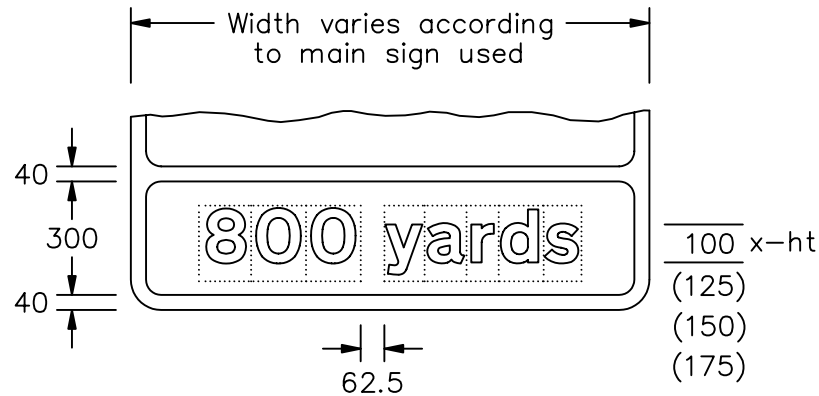
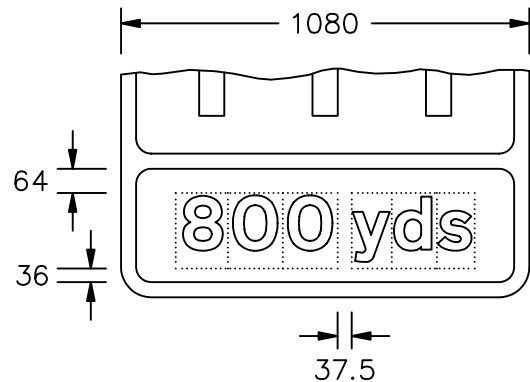


Drawing No.
P 7208

© CROWN COPYRIGHT

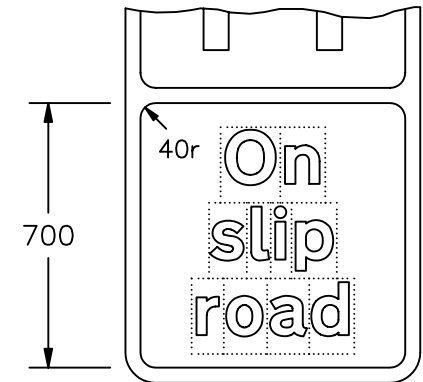
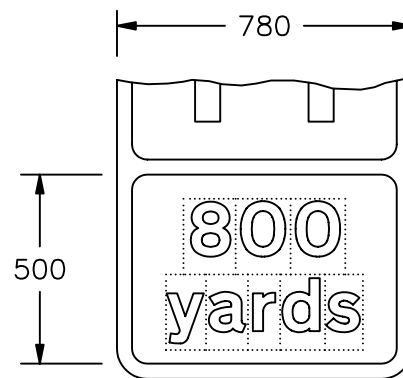


For use with P 7202 & P 7206 (4 or more lanes)
and P 7207 (not 100mm x-ht)



For use with P 7202 & P 7206 (3 lanes)

- NOTES: 1. The legend is from the Transport Heavy alphabet at the x-heights shown.
2. The tile outlines do not form part of the signs.
3. COLOURS : Background ----- YELLOW
Legend & Borders --- BLACK
4. DIMENSIONS : All dimensions shown are based on the 100mm x-height and shall be varied proportionally for the larger x-heights (shown in brackets).



For use with P 7202 (2 lanes)

P7208

Before using this drawing, confirm that it has not been superseded.

Department for
Transport

Title: Road Works Signs
DISTANCE PLATES FOR
P 7202, P 7206 & P 7207

Issue: Date: Drawn by:
A: 20.11.95 S.P.
B: 3.2.05 Approved by:
C: R.M.

Dimensions:
MILLIMETRES

Drawing No.
P 7208