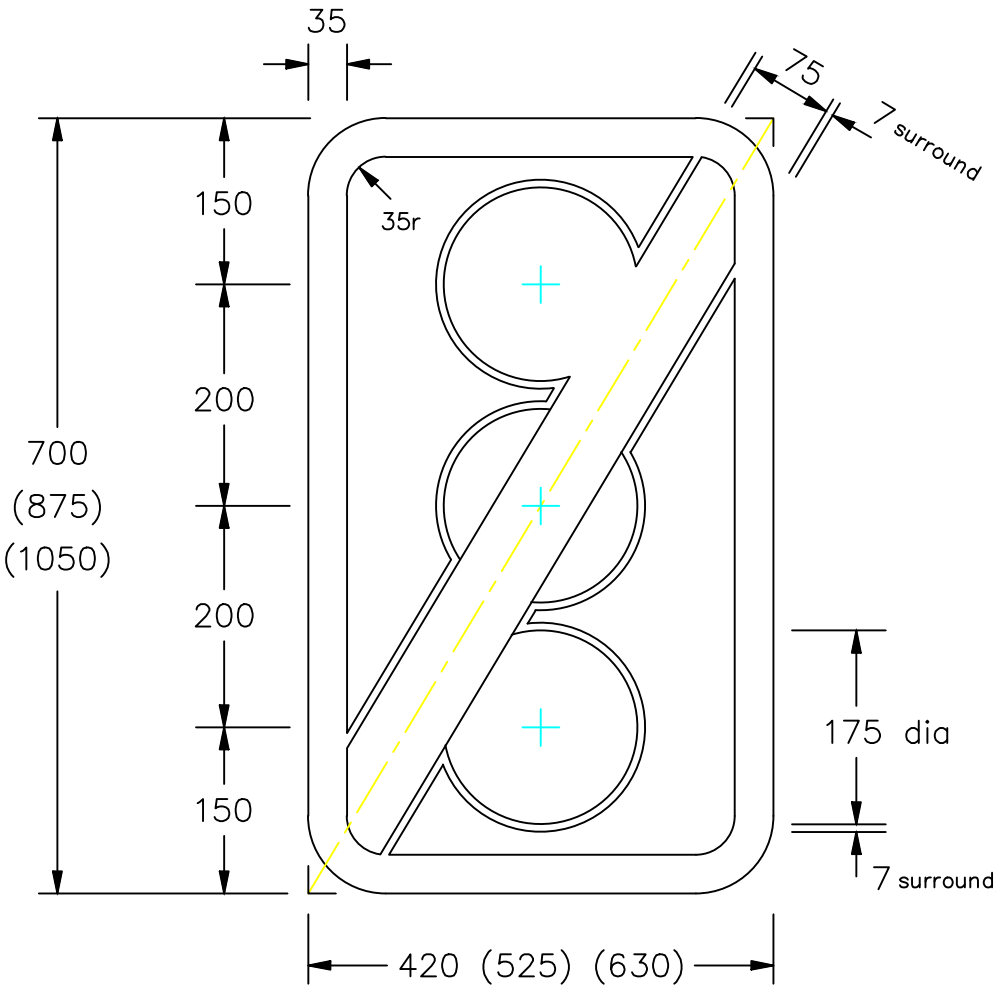


Drawing No.
P 7019

© CROWN COPYRIGHT

NOTES: 1. COLOURS : Background ----- BLACK
 Border & Surround --- WHITE
 Top symbol & Bar --- RED
 Middle symbol ----- YELLOW
 Bottom symbol ----- GREEN (formerly LIGHT GREEN)

2. DIMENSIONS : Dimensions for the 420mm wide sign shall be varied proportionally for the other sign widths.



P7019

Before using this drawing, confirm that it has not been superseded.

Department for Transport	Title:	Temporary Sign	Issue:	Date:	Drawn by :	Dimensions :	Drawing No.
		LIGHT SIGNALS NOT IN USE	A:	27.11.95	S.P.	MILLIMETRES	P 7019
			B:	7.1.05	Approved by :		
			C:	11.11.11	R.M.		