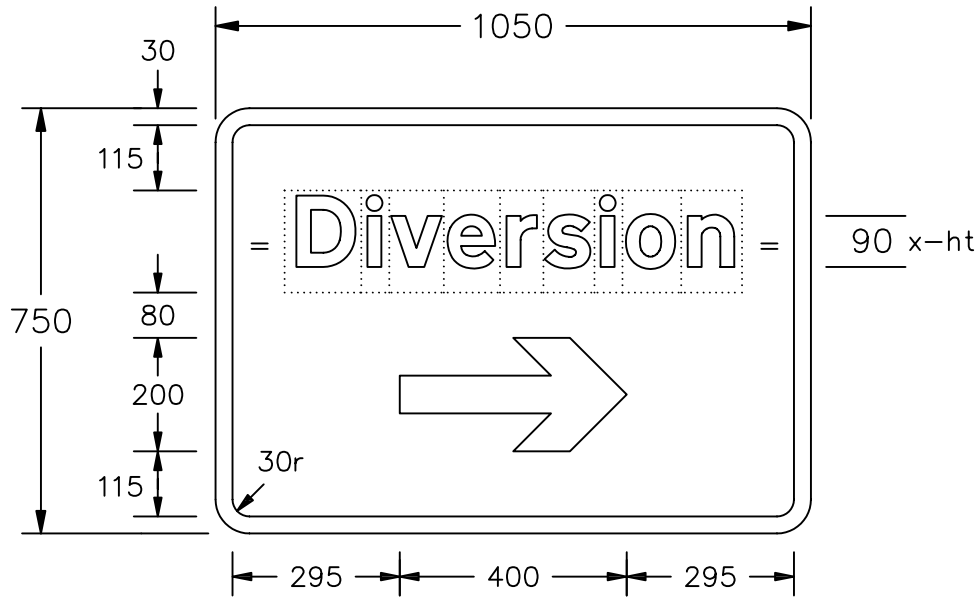
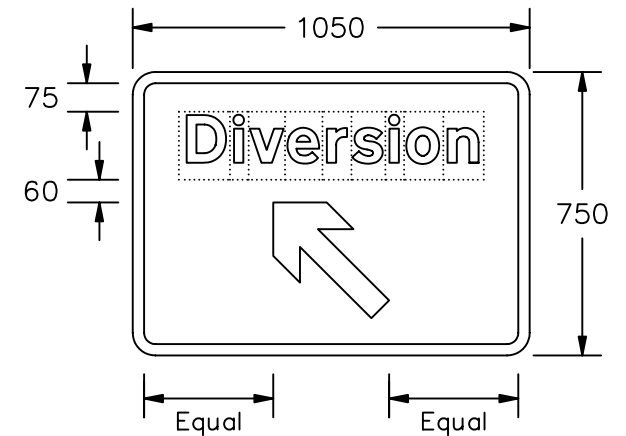
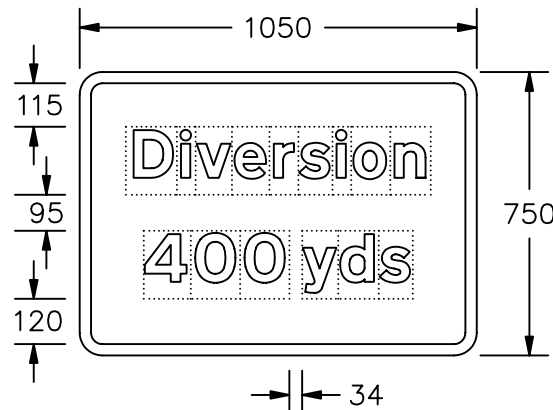
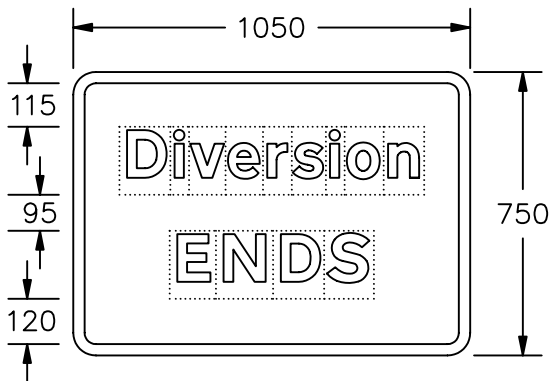
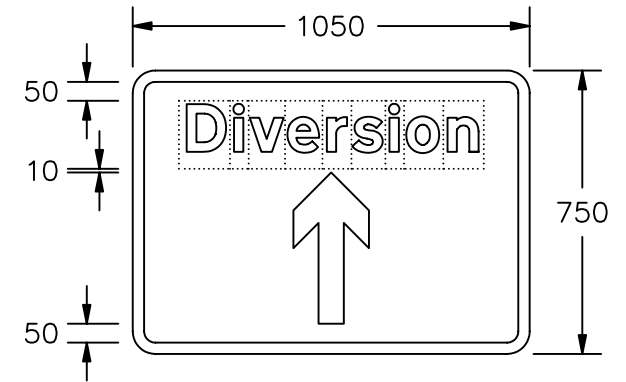


Drawing No.
P 2702

© CROWN COPYRIGHT



- NOTES: 1. The legend is from the Transport Heavy alphabet at the x-height shown.
2. The tile outlines do not form part of the signs.
3. COLOURS : Background ----- YELLOW
Legend, Arrow & Border ---- BLACK



Distances up to, but not exceeding 400 yds to the nearest 10 yds may be shown.

Before using this drawing, confirm that it has not been superseded.

P2702

Department for
Transport

Title: Temporary Signs
TEMPORARY DIVERSION
AND VARIANTS

Issue: Date: Drawn by:
A: 5.6.95 S.P./R.M.
B: 2.11.04 Approved by:
C: R.M.

Dimensions:
MILLIMETRES

Drawing No.
P 2702