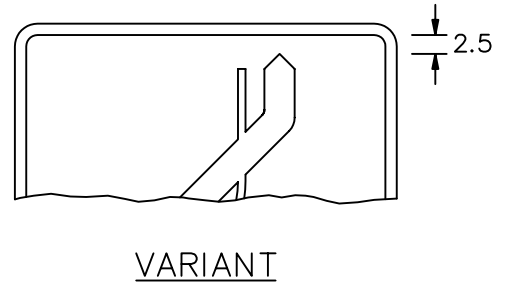
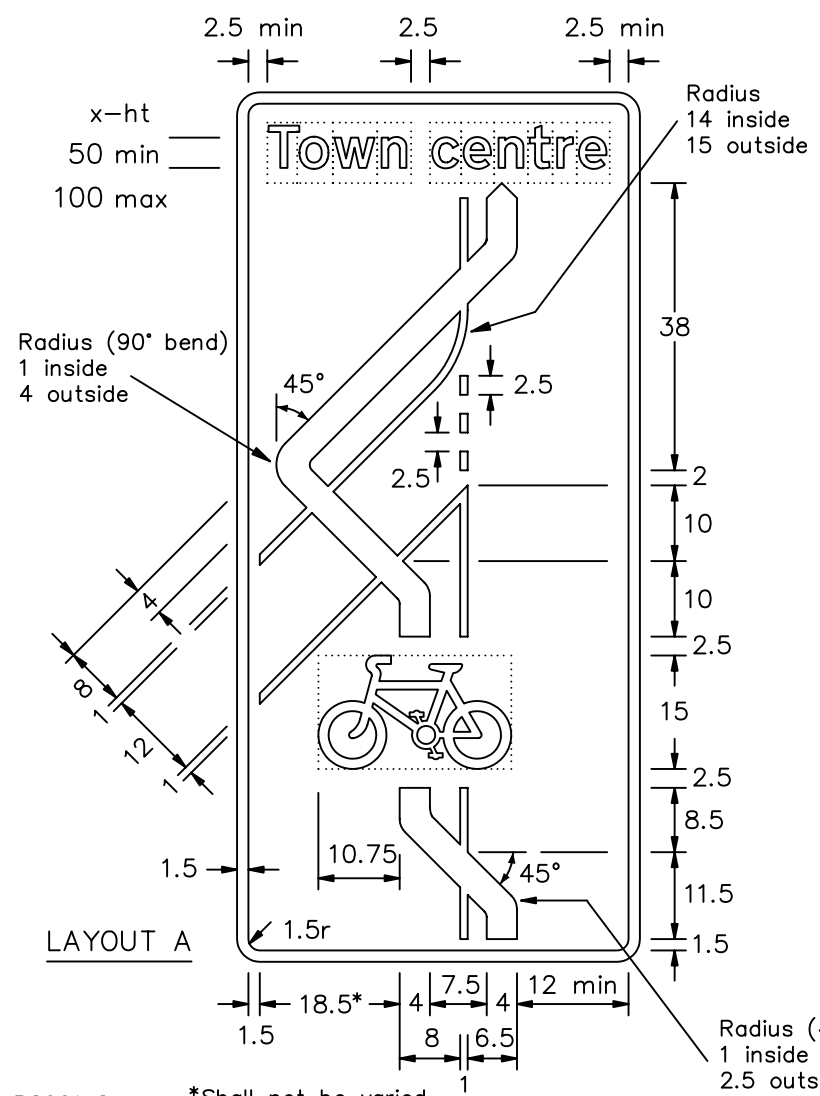


Drawing No.
P 2601.2

Related drawing
S 24

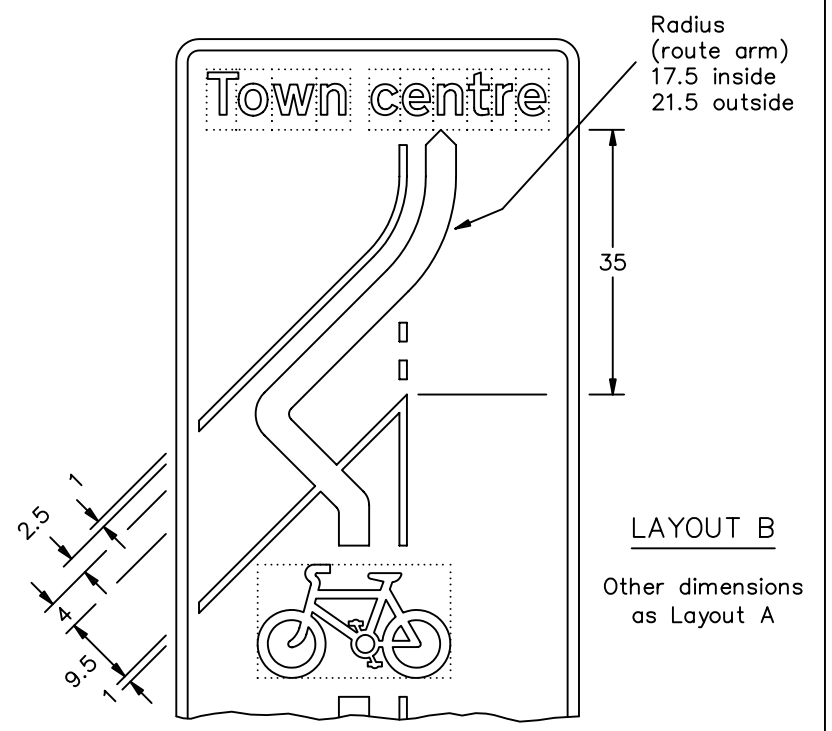
Before using this drawing, confirm that it has not been superseded.

© CROWN COPYRIGHT



See Traffic Signs Manual Chapter 7 for further details relating to place names and the addition of distances. Note that very short destination blocks (less than 23 sw in length) shall be centred over the ahead route arm.

- NOTES:
1. The legend is from the Transport Medium alphabet at the x-heights shown.
 2. Details of the cycle symbol is on dwg S 24.
 3. The tile outlines do not form part of the signs.
 4. COLOURS : Background ----- BLUE
Legend, Border & Symbols --- WHITE
 5. DIMENSIONS : x-heights are in millimetres, other dimensions are in stroke widths. (4sw = x-height)
 6. The route symbol shall not be varied.



P2601x2 *Shall not be varied

<p>Department for Transport</p>	Title:	Directional Signs	Issue:	Date:	Drawn by:	Dimensions:	Drawing No.
	ROUTE FOR PEDAL CYCLES ACROSS ENTRY SLIP ROAD		A:	21.1.04	R.M.	SEE NOTE 5	P 2601.2
	B:	C:			Approved by:		