

Drawing No.
P 2512.1
Sheet 1 of 2

Related Drawings
S 43

Before using this drawing, confirm that it has not been superseded.

© CROWN COPYRIGHT

NOTES: 1. The legend is from the Transport Heavy alphabet at the x-heights shown.

2. Symbol details are given on drawing S 43.

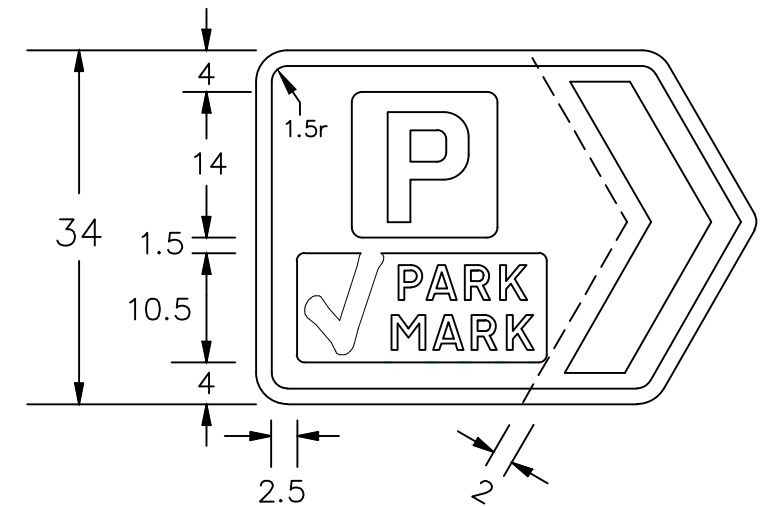
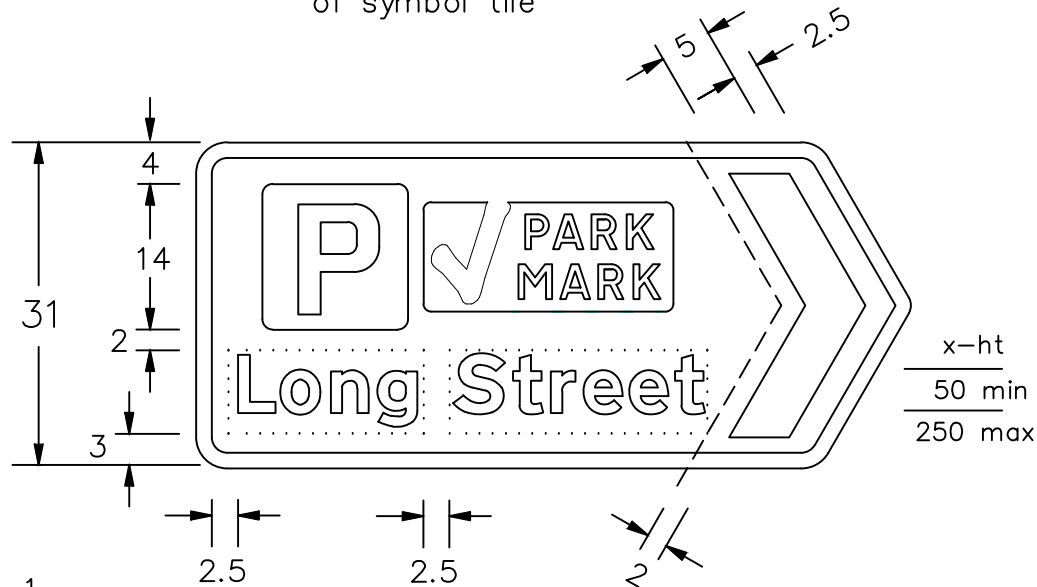
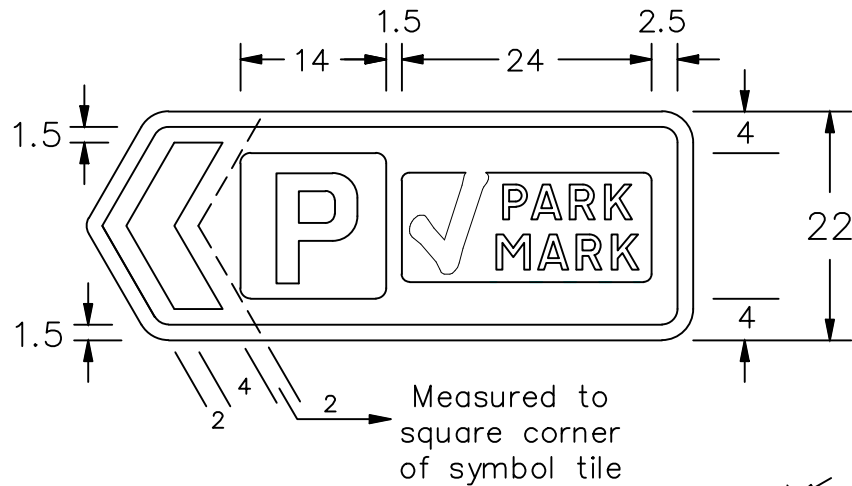
3. The tile outlines do not form part of the sign.

4. COLOURS : Background ----- WHITE
Legend, Chevron & Border ----- BLACK
Symbol background ----- BLUE
'P' character ----- WHITE
'Tick' symbol and legend ----- WHITE

5 DIMENSIONS : x-heights are in millimetres, other dimensions are in stroke widths. (4sw = x-height)

6. See Chapter 7 of the Traffic Signs Manual for further design guidance.

7. See Sheet 2 for other variants.



P2512x1-1

Department for
Transport

Title: Directional Signs
DIRECTION TO A SECURED CAR PARK
APPROVED UNDER THE PARK MARK SCHEME

Issue: Date:
A: 11.11.11
B:
C:

Drawn by :
A.K.
Approved by:
J.B.

Dimensions :
SEE
NOTE 5

Drawing No.
P 2512.1
Sheet 1 of 2

Drawing No.
P 2512.1
Sheet 2 of 2

Related Drawings
S 43

Before using this drawing, confirm that it has not been superseded.

© CROWN COPYRIGHT

NOTES: 1. The legend is from the Transport Heavy alphabet at the x-heights shown.

2. Symbol details are given on drawing S 43.

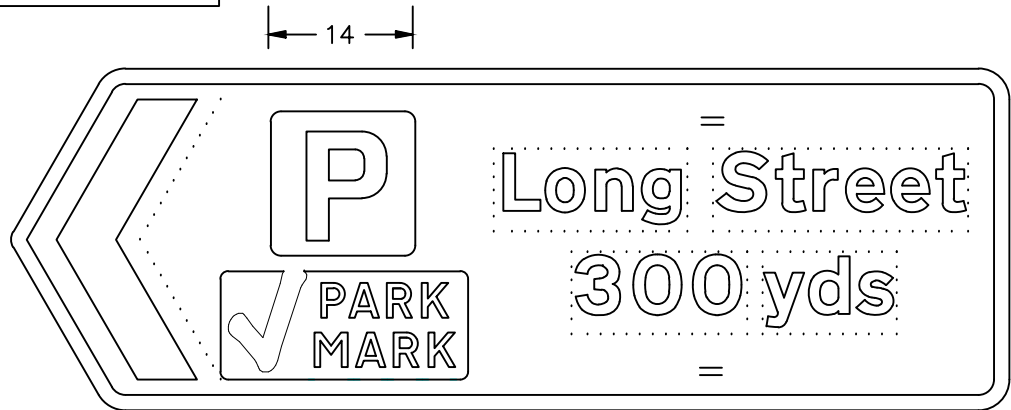
3. The tile outlines do not form part of the sign.

4. COLOURS : Background ----- WHITE
Legend, Chevron & Border ----- BLACK
Symbol background ----- BLUE
'P' character ----- WHITE
'Tick' symbol and legend ----- WHITE

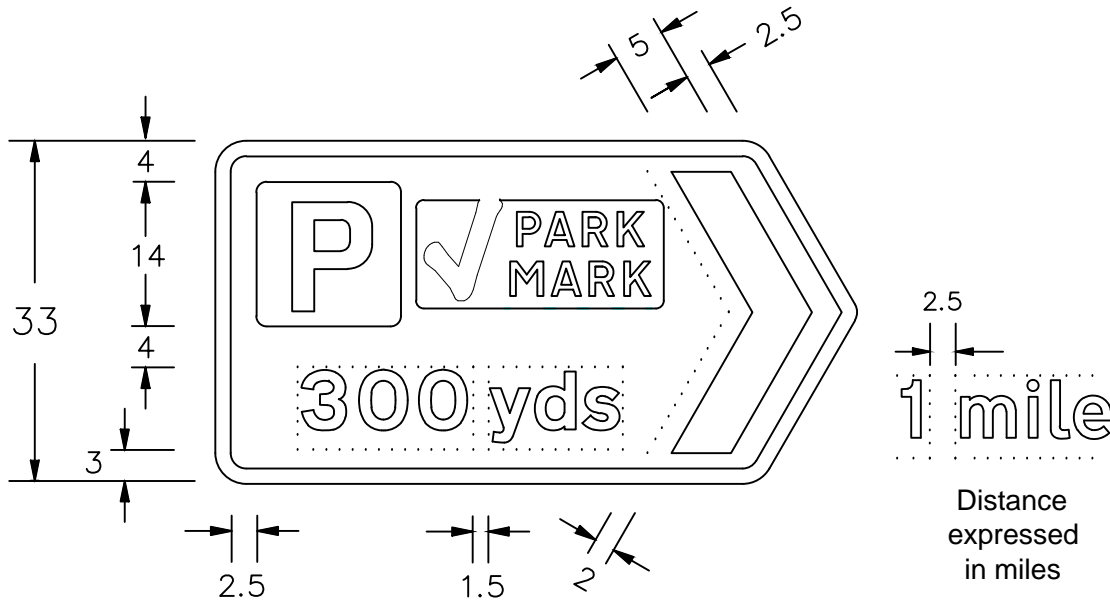
5 DIMENSIONS : x-heights are in millimetres, other dimensions are in stroke widths. (4sw = x-height)

6. See Chapter 7 of the Traffic Signs Manual for further design guidance.

7. See Sheet 1 for other dimensions.



$$\frac{x\text{-ht}}{50 \text{ min}} \\ 250 \text{ max}$$



P2512x1-2

**Department for
Transport**

Title: Directional Signs
DIRECTION TO A SECURED CAR PARK
APPROVED UNDER THE PARK MARK SCHEME

Issue: Date:
A: 11.11.11
B:
C:

Drawn by :
A.K.
Approved by :
J.B.

Dimensions :
SEE
NOTE 5

Drawing No.
P 2512.1
Sheet 2 of 2