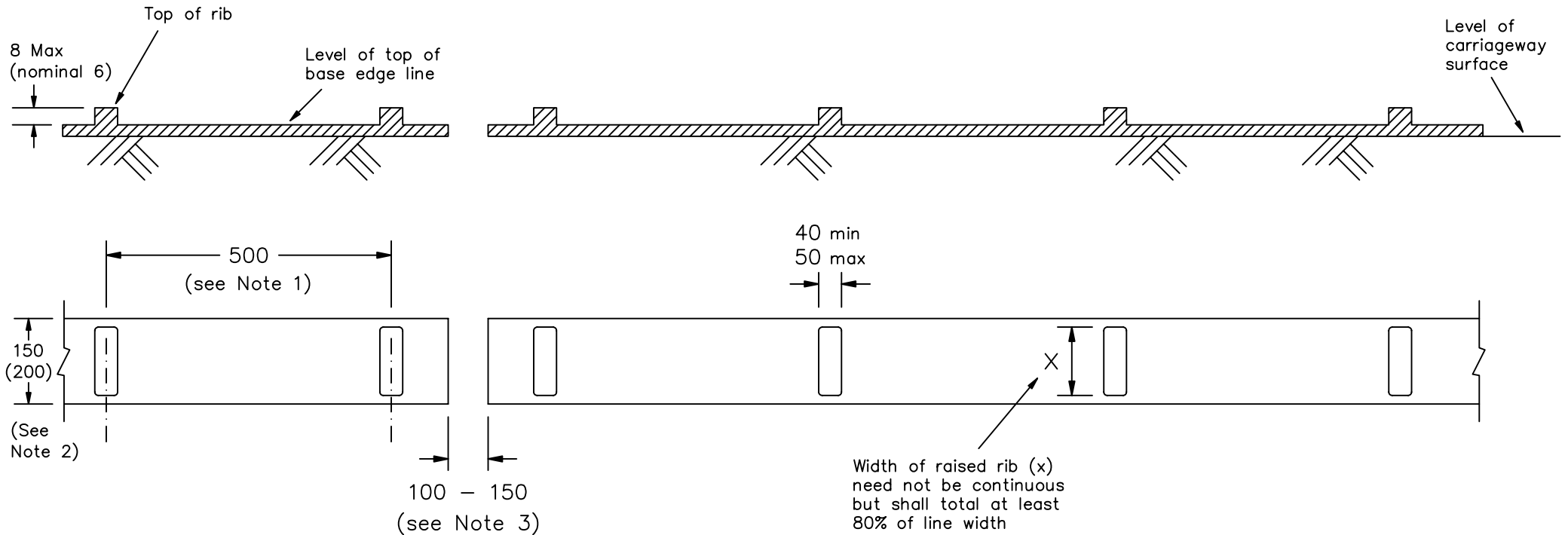


Drawing No.  
P 1012.3

© CROWN COPYRIGHT

- NOTES: 1. Spacing of the Raised Rib:  
The spacing of the raised rib shall be 500mm.
2. Width of base edge line:  
The 200mm line width shall be used on all-purpose roads with hard shoulders.
3. Drainage Gaps:  
Drainage gaps 100mm to 150mm wide spaced at 36 metre intervals should be provided in raised rib edge lines to promote free surface water drainage, and must be provided where the longitudinal fall is less than 1 in 150, in order to prevent ice formation.



P1012x3

Before using this drawing, confirm that it has not been superseded.

Department for  
**Transport**

Title: All-purpose Road Marking  
WHITE RAISED RIB EDGE LINE

Issue: Date: Drawn by:  
A: 29.6.94 S.P.  
B: 11.1.05 Approved by:  
C: R.M.

Dimensions:  
MILLIMETRES

Drawing No.  
P 1012.3