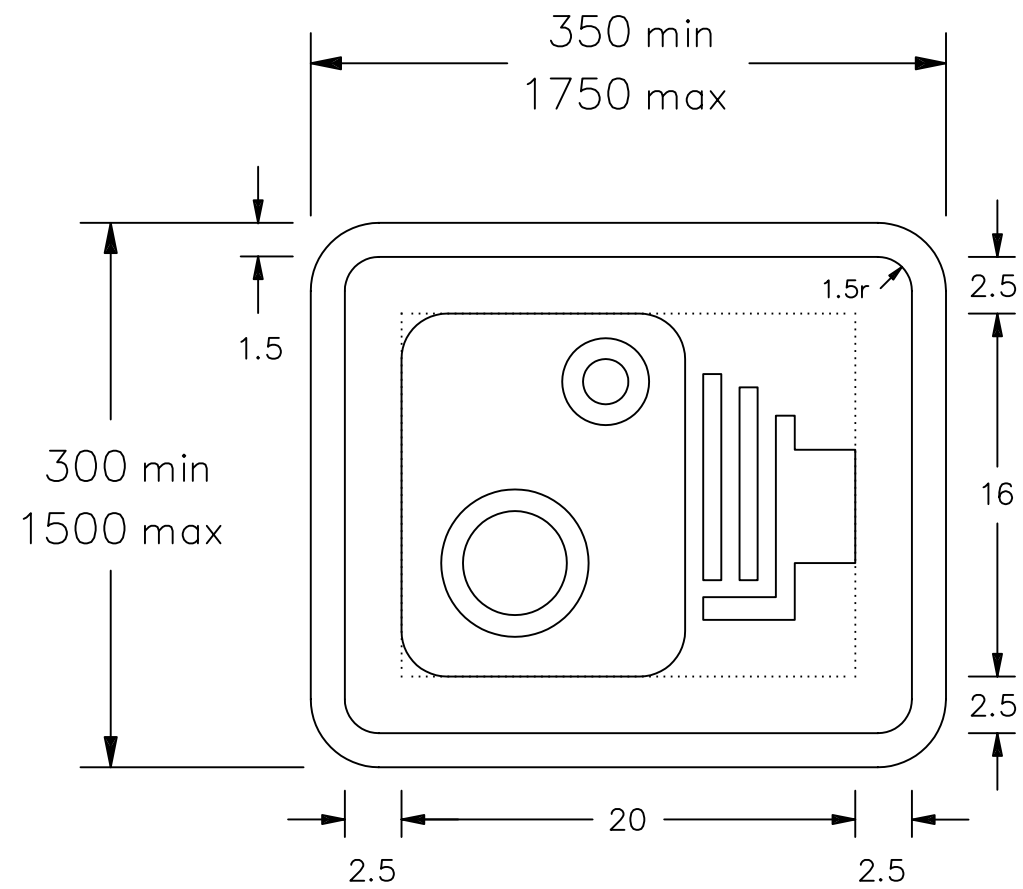


Drawing No. P 879	Related drawings S 58 & P 878
----------------------	----------------------------------

© CROWN COPYRIGHT

- NOTES:-
1. Details of the camera symbol are given on drawing S 58.
  2. The tile outlines do not form part of the sign.
  3. COLOURS : Symbol & Border --- BLACK  
Background ----- WHITE
  4. DIMENSIONS : overall sizes are in millimetres, other dimensions are in stroke widths based on the x-heights shown on drawing P 878. (4sw = x-height)



P879

Before using this drawing, confirm that it has not been superseded.

	Title:	Informatory Sign	Issue:	Date:	Drawn by:	Dimensions:	Drawing No.
		TRAFFIC CAMERA REMINDER SIGN	A:	2.1.04	R.M.	SEE NOTE 4	P 879
			B:		Approved by:		
			C:		R.M.		