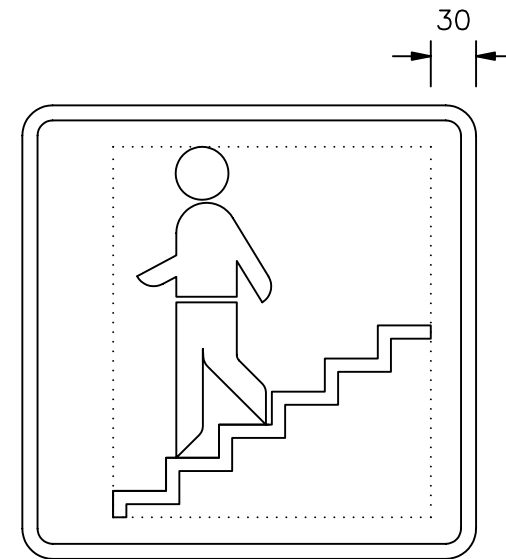
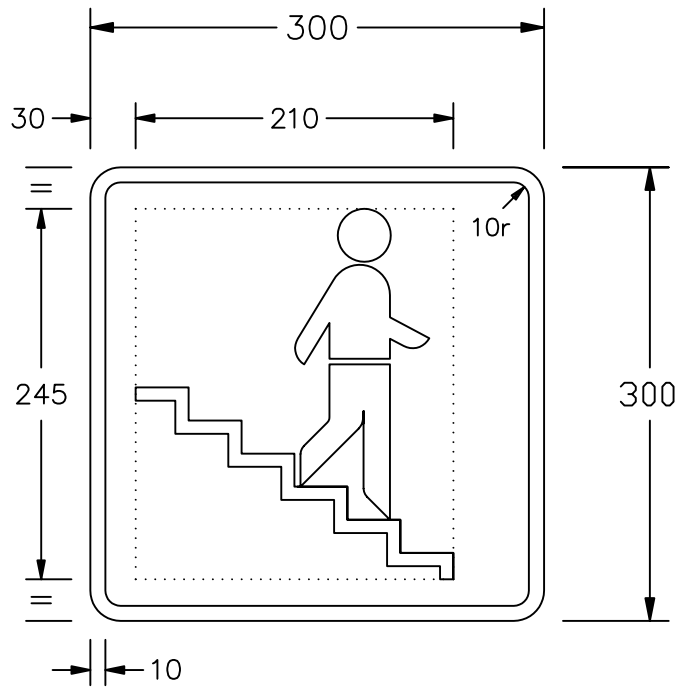


Drawing No.
P 814.1

Related Drawing
S 51

© CROWN COPYRIGHT

- NOTES: 1. Symbol details are given on drawing S 51.
 2. The tile outlines do not form part of the signs.
 3. COLOURS : Background ----- BLUE
 Symbol & Border --- WHITE



VARIANT

P814x1

Before using this drawing, confirm that it has not been superseded.

**Department for
Transport**

Title: Informatory Signs
 STEPPED ENTRANCE TO
 PEDESTRIAN SUBWAY

Issue: Date:
 A: 11.7.94
 B: 27.2.04
 C:

Drawn by: S.P.
 Approved by: R.M.

Dimensions:
 MILLIMETRES

Drawing No.
 P 814.1