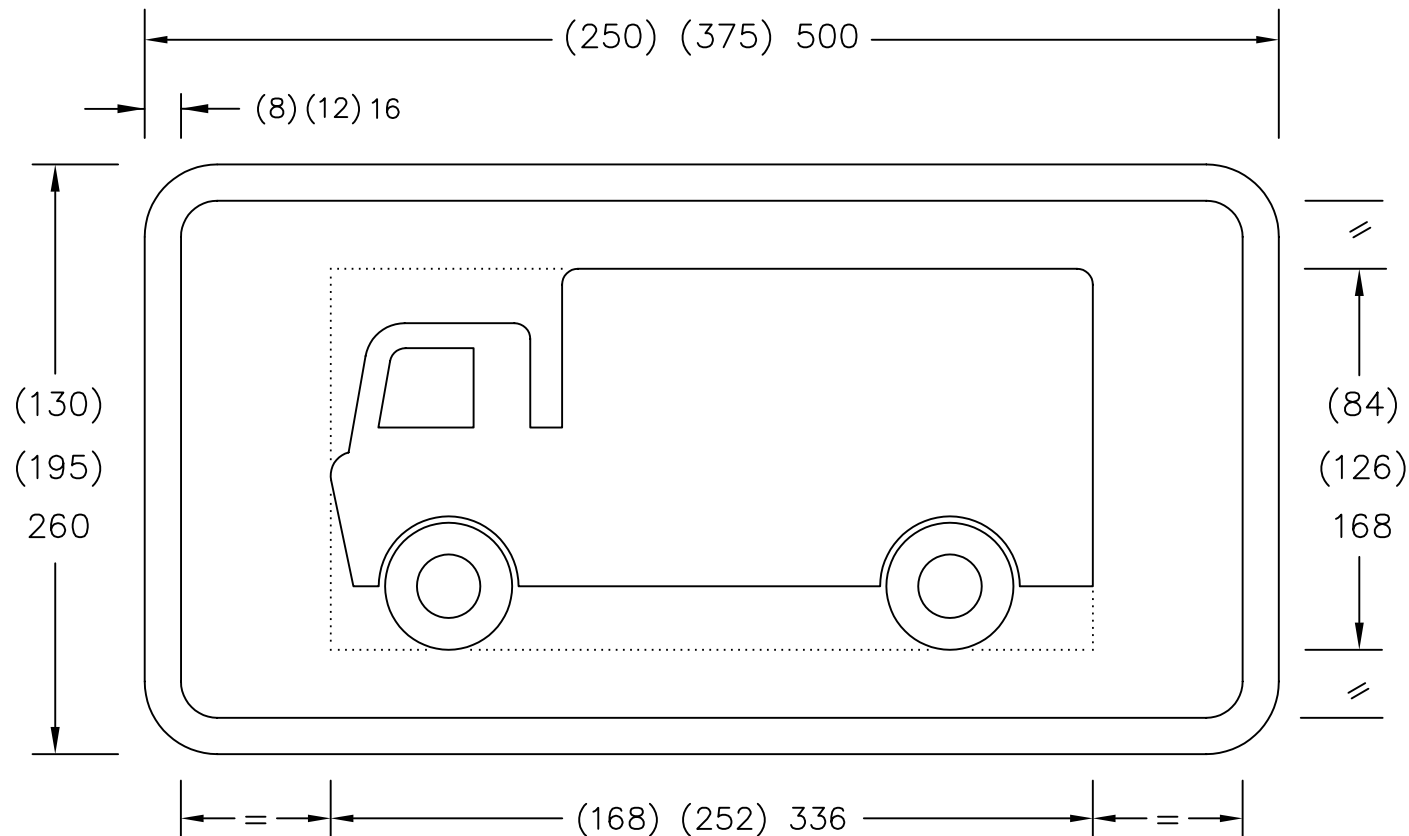


Drawing No.
P 804.1

Related Drawing
S 32

© CROWN COPYRIGHT

- NOTES:— 1. Symbol details are given on drawing S 32 sheet 1.
2. The tile outline does not form part of the sign.
3. COLOURS : Background ----- WHITE
Symbol & Border ---- BLACK



P804x1

Before using this drawing, confirm that it has not been superseded.

**Department for
Transport**

Title: Informatory Sign
PARKING PLACE for GOODS VEHICLES
PLATE FOR USE BELOW 'P' SIGN ON P 801

Issue: Date:
A: 11.7.94
B: 15.7.03
C:

Drawn by: S.P.
Approved by: R.M.

Dimensions:
MILLIMETRES

Drawing No.
P 804.1