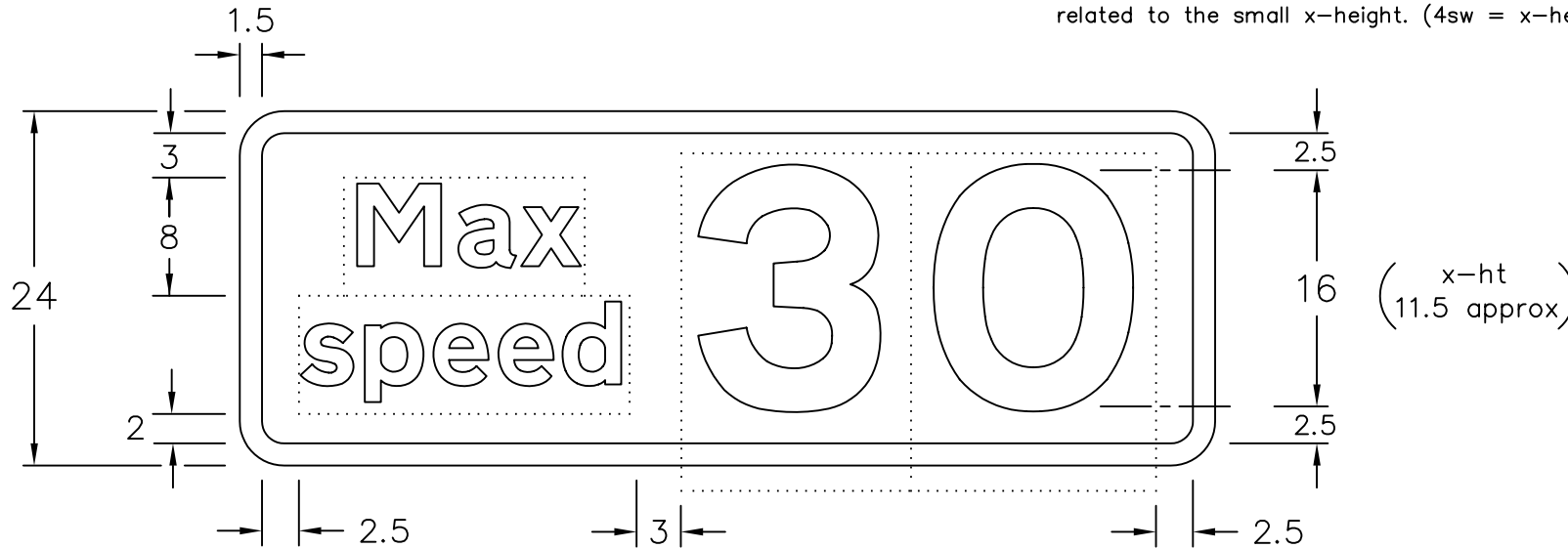


Drawing No.
P 513.2

Before using this drawing, confirm that it has not been superseded.

© CROWN COPYRIGHT

- NOTES:— 1. The legend is from the Transport Heavy alphabet at the x-heights shown.
 2. The outlines of the tiles do not form part of the sign.
 3. COLOURS : Background ----- WHITE
 Legend & Border ---- BLACK
 4. DIMENSIONS : x-heights in millimetres, other dimensions in stroke widths related to the small x-height. (4sw = x-height)



	numeral height	approx x-ht
50 x-ht (62.5)	200 mm (250)	143 (179)
(75)	(300)	(214)
(100)	(400)	(286)
(125)	(500)	(357)

P513x2

Department for
Transport

Title: Warning Sign
 MAXIMUM SPEED ADVISED (MPH)
 (FOR USE WITH TRIANGULAR SIGNS)

Issue: Date: Drawn by: Dimensions:
 A: 29.6.94 S.P.
 B: 13.11.02 Approved by:
 C: R.M.

SEE
NOTE 4

Drawing No.
P 513.2