

Government Response to ‘Offshore Electricity Transmission – A further Joint Ofgem/DECC Regulatory Policy Update’

Annex 8

GB Security and Quality of Supply Standard (GB SQSS)

URN 09/696 (DECC) & 23h/09 (Ofgem)

23 March 2009

This annex sets out further change proposals for the NETS¹ SQSS that have been developed by NGET for the implementation of the proposed offshore transmission regime.

We consider that the changes proposed in this annex are robust and accurately reflect the policy position set out in the consultation documents. **We propose that the Secretary of State makes the changes set out in the annexes to this consultation, subject to evidence to the contrary. We would welcome respondents' views.**

These change proposals have been developed in light of responses to our June 2008 and November 2008 Policy Update, further development of offshore transmission policy and consideration of practicalities of this matter.

We noted in our November 2008 Policy Update that there was a dependency between the SQSS definition of Great Britain and Schedule 1 of NGET's electricity transmission licence and that any review of that term may lead to the withdrawal or amendment of some changes that have been proposed in each of the relevant documents. We have revised the definition of Great Britain which has resulted in changes to various terms within Section 11 of the SQSS, including changing the term GB SQSS to NETS SQSS (National Electricity Transmission System SQSS).

There have been no changes to the GB SQSS under normal governance arrangements from the version used as the baseline for the offshore transmission change proposals in this annex 8.

Details on the changes made since our November 2008 Policy Update can be found in Chapter 7 of this consultation document. Detail on the responses received to the November 2008 Policy Update can be found in Chapter 8.

Change proposals have been developed for the following parts of the NETS SQSS. NGET do not consider that changes were required to other parts of the NETS SQSS to implement the proposed offshore transmission regime.

GBSQSS Section	Changes proposed to:
Section 1 Introduction	Reflect the extension of the NETS SQSS to cater for offshore transmission systems.
Section 2 Design of Generation Connections	Rename the section "Generation Connection Criteria Applicable to the Onshore Transmission System". Limit existing criteria in this section to the design of the onshore transmission system.
Section 3 Design of Demand Connections	Rename the section "Demand Connection Criteria Applicable to the Onshore Transmission System".

¹ The term GB Transmission System has been replaced by the term National Electricity Transmission System in the relevant documents. This is because Great Britain only extends to the GB landmass and internal waters, it does not include Offshore Waters.

GBSQSS Section	Changes proposed to:
	Limit existing criteria in this section to the design of the onshore transmission system.
Section 4 Design of the Main Interconnected Transmission System	Extend this section to facilitate the introduction of the offshore transmission regime.
Section 5 Operation of the GB transmission system	Rename the section "Operation of the Onshore Transmission System". Limit existing criteria in this section to the operation of the onshore transmission system.
Section 6 Voltage Limits in Planning and Operating the GB transmission system	Rename the section "Voltage Limits in Planning and Operating the Onshore Transmission System". Limit existing criteria in this section to the design and operation of the onshore transmission system.
New Section 7 Generation Connection Criteria Applicable to an Offshore Transmission System	Reflect decisions in respect of the basis for an offshore security standard as supplemented and amended by NGET's subsequent recommendations. All new text so all change marked.
New Section 8 Demand Connection Criteria Applicable to an Offshore Transmission System	Reflect NGET's recommendations (based on GBSQSS sub-group's discussions) for minimum security criteria for an offshore transmission system for offshore power station demand. All new text so all change marked.
New Section 9 Operation of an Offshore Transmission System	Reflect NGET's recommendations for minimum security criteria for the operation of an offshore transmission system. All new text so all change marked.
New Section 10 Voltage Limits in Planning and Operating an Offshore Transmission System	Reflect NGET's recommendations for voltage limits for the design and operation of an offshore transmission system. All new text so all change marked.
Section 11 (currently section 7) Terms and Definitions	Facilitate the extension of existing obligations offshore. Facilitate the implementation of the new GBSQSS sections that are required as part of the offshore transmission regime. Change marked against current GBSQSS section 7.

GBSQSS Section	Changes proposed to:
Appendix A Recommended Substation Configuration and Switching Arrangements	Limit existing recommendations to the design of the onshore transmission system (as Appendix A, Part 1). Reflect recommendations for the design of an offshore transmission system developed by NGET (as Appendix A, Part 2).
Appendix B Circuit Complexity	Rename section as “Circuit Complexity on the Onshore Transmission System”. Limit existing restrictions to the design of the onshore transmission system.
Appendix C Modelling of planned transfer	Changes as a result of the change to the definition of Great Britain.
Appendix D Application of the Interconnector Allowance	Changes as a result of the change to the definition of Great Britain.
Appendix E Guidance on Economic Justification	Reflect the relevant parts of the new offshore transmission specific sections of the GBQSS.

GB National Electricity Transmission System
Security and Quality of Supply Standard

Version 42.0

September 22, 2004[Insert Date of Go-Active Decisions]

Contents

		Page
1	Introduction	<u>4</u>
2	<u>Generation Connection Criteria Applicable to the Onshore Transmission System</u> Design of Generation Connections	<u>12</u>
3	<u>Demand Connection Criteria Applicable to the Onshore Transmission System</u> Design of Demand Connections	<u>18</u>
4	Design of the <i>Main Interconnected Transmission System</i>	<u>23</u>
5	Operation of the <u>Onshore Transmission System</u> <i>GB transmission system</i>	<u>26</u>
6	Voltage Limits in Planning and Operating the <u>Onshore Transmission System</u> <i>GB transmission system</i>	<u>30</u>
7	<u>Generation Connection Criteria Applicable to an Offshore Transmission System</u>	<u>34</u>
8	<u>Demand Connection Criteria Applicable to an Offshore Transmission System</u>	<u>44</u>
9	<u>Operation of an Offshore Transmission System</u>	<u>48</u>
<u>10</u>	<u>Voltage Limits in Planning and Operating an Offshore Transmission System</u>	<u>50</u>
<u>11</u>	Terms and Definitions	<u>51</u>
Appendix A	Recommended Substation Configuration and Switching Arrangements	<u>70</u>
Appendix B	Circuit Complexity <u>on the Onshore Transmission System</u>	<u>75</u>

Appendix C	Modelling of <i>Planned Transfer</i>	<u>78</u>
Appendix D	Application of the <i>Interconnection Allowance</i>	<u>80</u>
Appendix E	Guidance on Economic Justification	<u>83</u>

1. Introduction

Role and Scope

1.1 Pursuant to conditions C17, ~~and D3~~ and E16 of the Transmission Licences, this document sets out a coordinated set of criteria and methodologies (for example cost-benefit techniques and weather related operation) that ~~the GB transmission licensees~~ shall use in the planning and operation of the GB national electricity transmission system. For the avoidance of doubt the national electricity GB transmission system is made up of both the onshore transmission system and the offshore transmission systems. These will determine the need for services provided to the GB transmission licensees, e.g. reactive power, as well as transmission equipment.

1.1.2 Both planning and operational criteria are set out in this Standard and these will determine the need for services provided to the relevant transmission licensees, e.g. reactive power as well as transmission equipment. The planning criteria set out the requirements for the transmission capacity (either investment or purchase of services) for the national electricity GB transmission system. The planning criteria also require consideration to be given to the operation and maintenance of the national electricity transmission system and so refer to the associated operational criteria where appropriate. The operational criteria are used in real time and in the development of plans for using the national electricity GB transmission system to permit satisfactory operation.

1.3 Additional criteria, for example covering more detailed and other aspects of quality of supply, are contained in the GB-Grid Code and the SO-TO Code, which should be read in conjunction with this document.

1.21.4 External interconnections between the GB-onshore transmission system and external systems (e.g. in Ireland & France) are covered by separate agreements, which will normally be consistent with this Standard. This Standard may be specifically referenced in the relevant agreements and shall apply to the extent of that reference.

1.31.5 The consideration of secured events as defined in this Standard may lead to the identification of inadequate capability of equipment or systems not owned or operated by the GB-transmission licensees (for example, the overloading of lower voltage connections between grid supply points). In such cases the GB-transmission licensees will notify the network operators affected. Reinforcement or alternative operation of the national electricity GB transmission system to alleviate inadequacies of equipment or systems not owned or operated by the GB-transmission licensees would be undertaken where it is agreed by the network operators affected and the relevant GB-transmission licensees.

1.41.6 The criteria presented in this Standard represent the minimum requirements for the planning and operation of the national electricity GB transmission system. While it is a requirement for transmission capacity to meet the planning criteria, it does not follow that the transmission capacity should be reduced so that it only meets the minimum requirement of those criteria. For

example, it may not be beneficial to reduce the ratings of lines to reflect lower loading levels which have arisen due to changes in the generation or demand patterns.

Document Structure

1.7 This Standard contains technical terms and phrases specific to transmission systems and the Electricity Supply Industry. The meanings of some terms or phrases in this Standard may also differ from those commonly used. For this reason a 'Terms and Definitions' has been included as Section 117 to this document. All defined terms have been identified in the text by the use of *italics*.

1.8 The criteria and methodologies applicable to the *onshore transmission system* differ in certain respects from those applicable to the *offshore transmission systems*. In view of this, the two sets of criteria and methodologies are presented separately for clarity. The criteria and methodologies applicable to the *onshore transmission system* are presented in Sections 2 to 6 and the criteria and methodologies applicable to *offshore transmission systems* are presented in Sections 7 to 10.

Onshore Criteria and Methodologies

1.9 For ease of use, the criteria and methodologies relating to the planning of the *GB-onshore transmission system* have been presented according to the functional parts of the *onshore GB-transmission system* to which they primarily apply. These parts are the *generation points of connection* at which *power stations* feed into the *Main Interconnected Transmission System (MITS)* through the remainder of the *MITS* to the *Grid Supply Points (GSP)* where demand is connected. These parts are illustrated schematically in Figure 1.1.

~~The planning criteria set out the requirements for the *transmission capacity* (either investment or purchase of services) for the *GB transmission system*. The planning criteria also require consideration to be given to the operation and maintenance and so refer to the associated operational criteria.~~

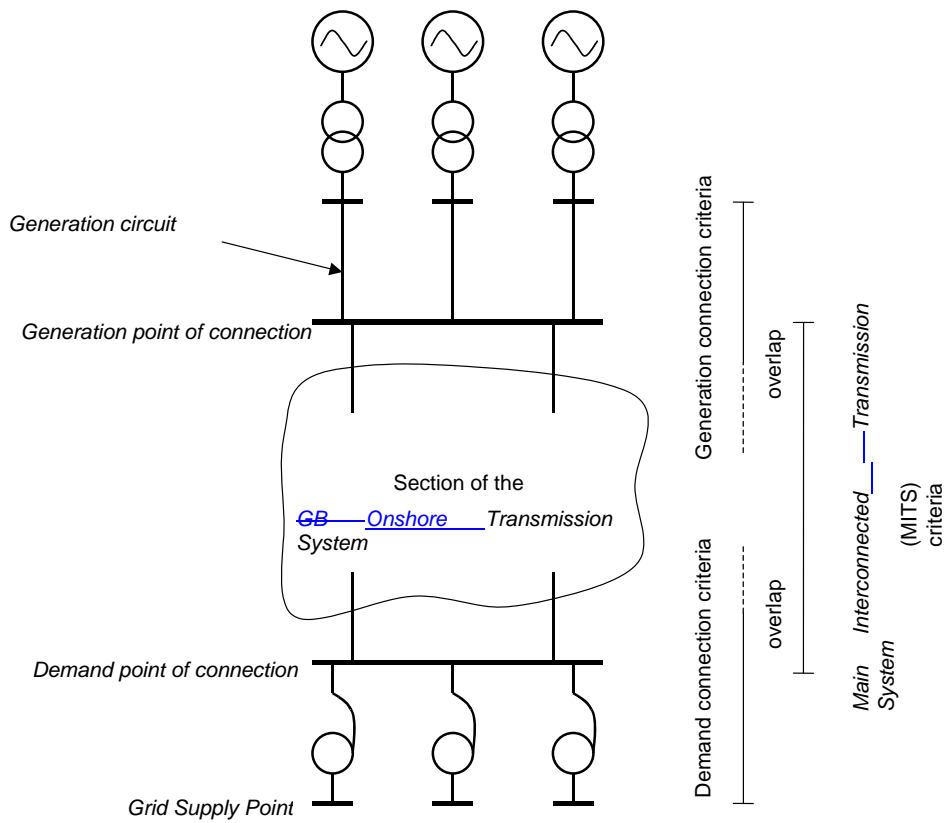


Figure 1.1 The *GB onshore* transmission system with a directly connected power station

1.10 The generation connection criteria applicable to the onshore transmission system are set out in Section 2 and cover the connections which extend from the *generation points of connection* and reach into the *MITS*. The criteria also cover the risks affecting the national electricity GB transmission system arising from the *generation circuits*.

1.11 The demand connection criteria applicable to the onshore transmission system are given in Section 3 and cover the connections which extend from the lower voltage side of the *GSP* transformers and again reach into the *MITS*.

1.12 Section 4 sets out the criteria for minimum *transmission capacity* on the *MITS*, which extends from the *generation points of connection* through to the *demand points of connection* on the high voltage side of the *GSP* transformers.

~~1.13 As described above and illustrated in Figure 1.1, there will be many parts of the GB transmission system where more than one set of criteria apply. In such places the requirements of all relevant criteria must be met.~~

~~1.14~~

1.13 The criteria relating to the operation of the GB-onshore transmission system are presented in Section 5.

Offshore Criteria and Methodologies

1.14 For ease of use, the criteria and methodologies relating to the planning of the offshore transmission systems have also been presented according to the functional parts of an offshore transmission system to which they primarily apply. An offshore transmission system extends from the offshore grid entry point/s (GEP) at which offshore power stations feed into the offshore transmission system through the remainder of the offshore transmission system to the point of connection of the offshore transmission system at the first onshore substation. This point of connection at the first onshore substation is the interface point (IP) in the case of a direct connection to the onshore transmission system or the user system interface point (USIP) in the case of a connection to an onshore user system.

1.15 The first onshore substation may be owned by the offshore transmission licensee, the onshore transmission licensee or onshore user system owner. Ownership boundaries are determined by the relevant transmission licensees and/or distribution licensees (as the case may be). Normally, and unless otherwise agreed, in the case of there being AC transformation or DC conversion facilities at the first onshore substation if the offshore transmission owner owns the first onshore substation, the interface point or user system interface point (as the case may be) would be on the HV busbars. If the first onshore substation is owned by the onshore transmission owner or onshore user system owner, the interface point or user system interface point (as the case may be) would be on the LV busbars. In the case of the former, the first onshore substation must meet the criteria relating to offshore

transmission systems and, in the case of the latter the first onshore substation must meet the appropriate onshore criteria.

1.16 The functional parts of an offshore transmission system include:

The offshore connection facilities on the offshore platform/s, which may include:

1.16.1 The offshore grid entry point/s (GEP) at which offshore power stations feed into an offshore transmission system,

1.16.2 Any offshore supply point/s (OSP) where offshore power station demand is supplied from an offshore transmission system

1.16.3 AC or DC offshore transmission circuits

The cable circuit/s, which may include:

1.16.4 AC or DC cable offshore transmission circuits connecting an offshore platform either directly to an onshore overhead line forming part of the offshore transmission system or to onshore connection facilities forming part of the offshore transmission system.

An overhead line section, which may include:

1.16.5 AC or DC overhead line offshore transmission circuits connecting the cable offshore transmission circuits either directly to the first onshore substation or to onshore AC transformation or AC/DC conversion facilities not forming part of the first onshore substation.

Onshore connection facilities, which may include:

1.16.6 AC/DC conversion facilities connecting DC overhead line or DC cable offshore transmission circuits to the interface point or user system interface point (as the case may be). Such facilities may constitute the first onshore substation

1.16.7 AC transformation facilities connecting AC overhead line or AC cable offshore transmission circuits to the interface point or user system interface point (as the case may be). Such facilities may constitute the first onshore substation

1.17 The above functional parts of an offshore transmission system are illustrated schematically in Figure 1.2. There are many variations to the form of an offshore transmission system. Figure 1.2, and Figure 1.3, illustrate just two such examples. The offshore generator has the option to connect to an offshore transmission system at a voltage level (in that system) of his choosing. Accordingly, the offshore GEP can be at a voltage level of the generator's choosing and the extent of the offshore generation connection criteria would

vary accordingly. However, under the default arrangements, the offshore generator's circuits cannot be at a voltage level of 132kV or above since such circuits would then constitute part of an offshore transmission system. Please note that, while Figure 1.2, and subsequent Figure 1.3, have been drawn such that they represent the functional parts of an AC offshore transmission system, they are equally representative of the functional parts of a DC offshore transmission system.

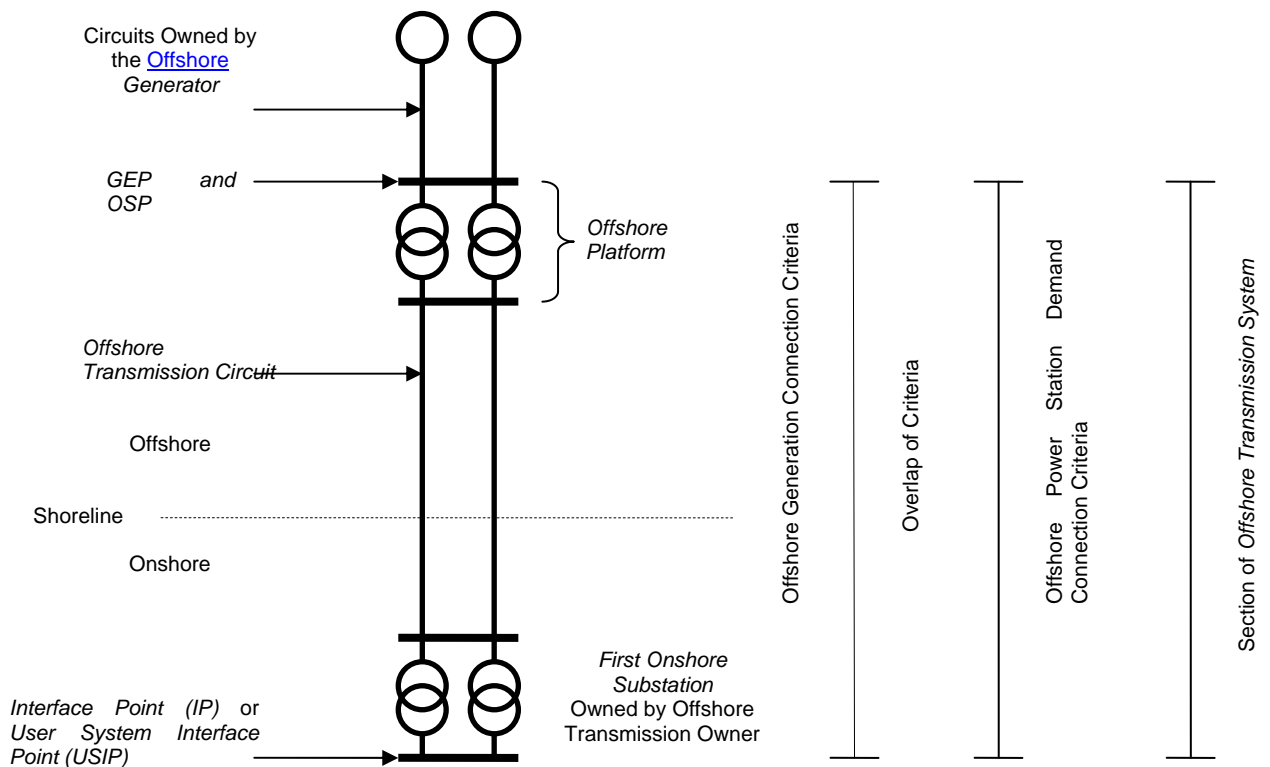


Figure 1.2. An offshore transmission system with a directly connected power station and first onshore substation owned by the offshore transmission owner

1.18 The boundaries between functional parts of an offshore transmission system will vary according to circumstances. In the example illustrated in Figure 1.3, the first onshore substation is owned by the onshore transmission system owner or user system owner. Accordingly, the interface point or user system interface point, as the case may be, would be at the lower voltage side rather than the higher voltage side of the transformers at the first onshore substation. Similarly, the extent of the offshore generation and demand connection criteria also move with the interface

point or user system interface point. The first onshore substation forms part of the onshore transmission system or onshore user system as the case may be.

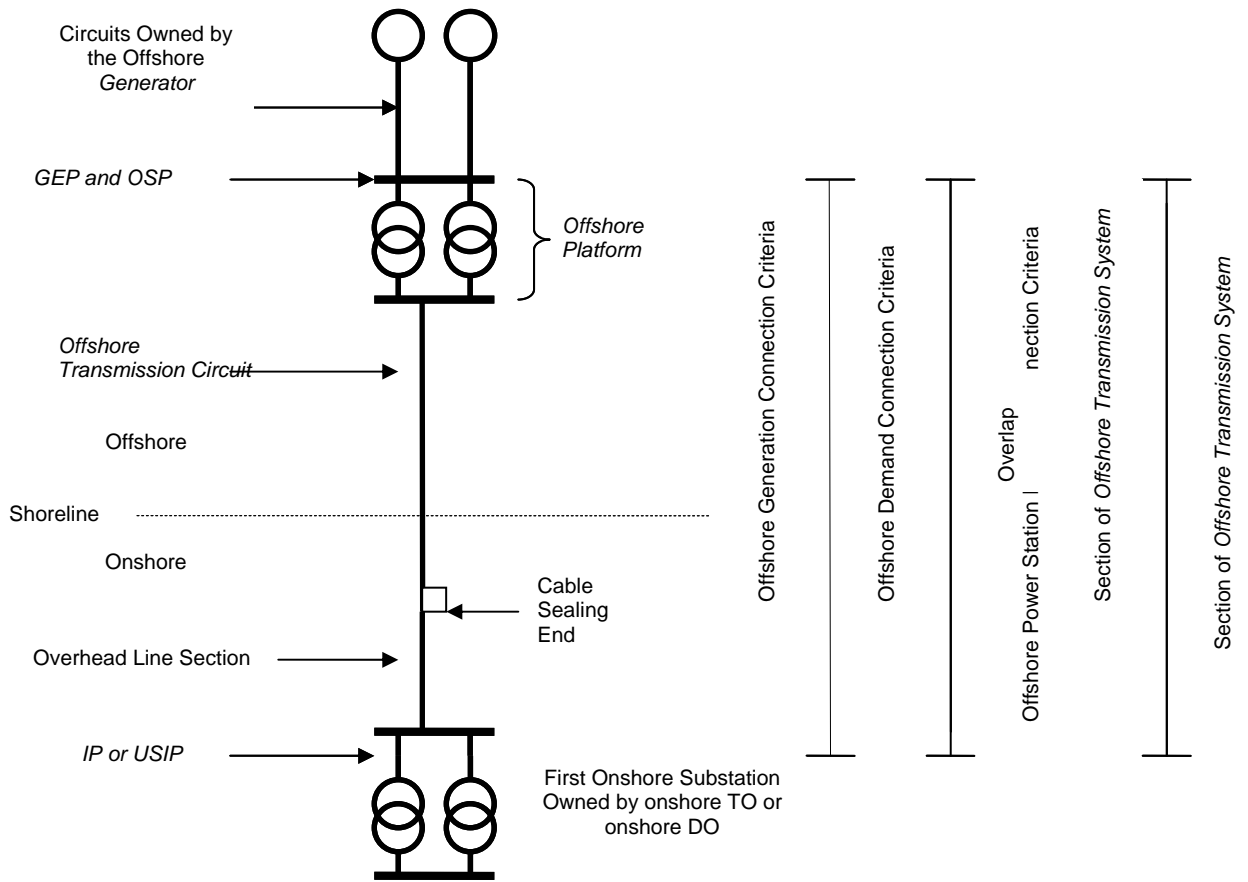


Figure 1.3. The offshore transmission system with a directly connected power station and first onshore substation owned by the onshore TO or onshore DO

1.19 The generation connection criteria applicable to an offshore transmission system are set out in Section 7 and cover the connections which extend from the offshore grid entry points (GEP), through the offshore transmission system, to the interface point (IP) or onshore user system interface point (USIP), as the case may be.

1.20 The offshore generation connection criteria do not cover the risks affecting the national electricity transmission system arising from offshore circuits owned by the generator.

1.21 The demand connection criteria applicable to an offshore transmission system are given in Section 8 and cover the connection of station demand at the offshore platform. These criteria extend from the offshore supply point (OSP) on the offshore platform through the offshore transmission system to the onshore interface point (IP) or onshore user system interface point (USIP), as the case may be.

1.22 The criteria relating to the operation of an offshore transmission system are presented in Section 9.

1.23 Voltage limits for use in planning and operating an offshore transmission system are presented in Section 10.

Overlap of Criteria

1.24 As described above, and illustrated in Figures 1.1, 1.2 and 1.3, there will be parts of the national electricityGB transmission system where more than one set of criteria apply. In such places the requirements of all relevant criteria must be met.

1.25 In particular, should an offshore transmission system be connected to the onshore MITS by two or more AC offshore transmission circuits routed to different onshore substations or to separate busbar sections at the same onshore substation, those AC offshore transmission circuits would parallel the MITS. In such cases the onshore criteria would also apply to the relevant sections of the offshore transmission system.

2. Generation Connection Criteria Applicable to the Onshore Transmission System~~Design of Generation Connections~~

2.1 This section presents the planning criteria ~~for the direct~~applicable to the connection of one or more *power stations* to the GB-onshore transmission system. The criteria in this section will also apply to the connections from a GSP to the GB onshore transmission system by which *power stations* embedded within a customer's network (e.g. distribution network) are connected to the GB-onshore transmission system.

2.2 In those parts of the GB-onshore transmission system where the criteria of Section 3 and/or Section 4 also apply, those criteria must also be met.

2.3 In planning generation connections, this Standard is met if the connection design either:

- 2.3.1 satisfies the deterministic criteria detailed in paragraphs 2.5 to 2.13;
- or
- 2.3.2 varies from the design necessary to meet paragraph 2.3.1 above in a manner which satisfies the conditions detailed in paragraphs 2.15 to 2.18.

2.4 It is permissible to design to standards higher than those set out in paragraphs 2.5 to 2.13 provided the higher standards can be economically justified. Guidance on economic justification is given in Appendix E.

Limits to Loss of Power Infeed Risks

2.5 For the purpose of applying the criteria of paragraph 2.6, the *loss of power infeed* resulting from a *secured event* on the onshore transmission system shall be calculated as follows:

- 2.5.1 the sum of the *registered capacities* of the *generating units* disconnected from the system by a *secured event*, plus
- 2.5.2 the planned import from any *external systems* disconnected from the system by the same event, less
- 2.5.3 the *forecast minimum demand* disconnected from the system by the same event but excluding (from the deduction) any demand forming part of the *forecast minimum demand* which may be automatically tripped for system frequency control purposes and excluding (from the deduction) the demand of the largest single end customer.

2.6 Generation connections shall be planned such that, starting with an *intact system*, the consequences of *secured events* on the onshore transmission system shall be as follows:-

- 2.6.1 following a *fault outage* of any single *transmission circuit*, no *loss of power infeed* shall occur;

- 2.6.2 following the *planned outage* of any single section of *busbar* or mesh corner, no *loss of power infeed* shall occur;
- 2.6.3 following a *fault outage* of any single *generation circuit* or single section of *busbar* or mesh corner, the *loss of power infeed* shall not exceed the *normal infeed loss risk*;
- 2.6.4 following the concurrent *fault outage* of any two *transmission circuits*, or any two *generation circuits* on the same *double circuit overhead line*, or the *fault outage* of any single *busbar* coupler circuit breaker or *busbar* section circuit breaker or mesh circuit breaker, the *loss of power infeed* shall not exceed the *infrequent infeed loss risk*;
- 2.6.5 following the *fault outage* of any single *transmission circuit*, single section of *busbar* or mesh corner, during the *planned outage* of any other single *transmission circuit* or single section of *busbar* or mesh corner, the *loss of power infeed* shall not exceed the *infrequent infeed loss risk*;
- 2.6.6 following the *fault outage* of any single *busbar* coupler circuit breaker or *busbar* section circuit breaker or mesh circuit breaker, during the *planned outage* of any single section of *busbar* or mesh corner, the *loss of power infeed* shall not exceed the *infrequent infeed loss risk*.

2.7 The maximum length of overhead line connections in a *generation circuit* for *generating units* which are directly connected to the [GB-onshore](#) *transmission system* shall not exceed:

- 2.7.1 5km for *generating units* of expected annual energy output greater than or equal to 2000 GWh; otherwise
- 2.7.2 20km.

Generation Connection Capacity Requirements

Background conditions

2.8 The connection of a particular *power station* shall meet the criteria set out in paragraphs 2.9 to 2.13 under the following background conditions:

- 2.8.1 the active power output of the *power station* shall be set equal to its *registered capacity*;
- 2.8.2 for connections in the England and Wales area, the reactive power output of the *power station* shall be set to the full leading or lagging output that corresponds to an active power output equal to *registered capacity*;
- [2.8.3](#) for connections in the SPT and SHETL areas, the reactive power output of the *power station* shall be set to the full leading or lagging output that corresponds to an active power output equal to *registered capacity* or, for the purpose of assessment of system stability, that which may reasonably be expected under the conditions described in paragraph 2.8.4;

2.8.4 for connections to an *offshore transmission system*, the reactive power output of the *offshore power station/s* shall normally, and unless otherwise agreed, be set to deliver zero reactive power at the *offshore grid entry point* with active power output equal to *registered capacity*; and the reactive power delivered at the *interface point* shall be set in accordance with the reactive requirements placed on the *offshore transmission licensee* set out in Section K of the STC (System Operator – Transmission Owner Code); and

~~2.8.3~~2.8.5 conditions on the *national electricity GB transmission system* shall be set to those which ought reasonably to be expected to arise in the course of a year of operation. Such conditions shall include forecast demand cycles, typical *power station* operating regimes and typical *planned outage* patterns modified where appropriate by the provisions of paragraph 2.11.

Pre-fault criteria

2.9 The *transmission capacity* for the connection of a *power station* shall be planned such that, for the background conditions described in paragraph 2.8, prior to any fault there shall not be any of the following:

- 2.9.1 equipment loadings exceeding the *pre-fault rating*;
- 2.9.2 voltages outside the *pre-fault planning voltage limits* or *insufficient voltage performance margins*; or
- 2.9.3 *system instability*.

Post-fault criteria – background condition of no local system outage

2.10 The *transmission capacity* for the connection of a *power station* shall also be planned such that for the background conditions described in paragraph 2.8 with no *local system outage* and for the *secured event* of a *fault outage* on the onshore transmission system of any of the following:

- 2.10.1 a single *transmission circuit*, a reactive compensator or other reactive power provider;
- 2.10.2 a *double circuit overhead line* on the *supergrid*;
- 2.10.3 a *double circuit overhead line* where any part of either circuit is in the England and Wales area or the SHETL area;
- 2.10.4 a single *transmission circuit* with the prior outage of another *transmission circuit*;
- 2.10.5 a section of *busbar* or mesh corner; or
- 2.10.6 a single *transmission circuit* with the prior outage of a *generating unit*, a reactive compensator or other reactive power provider;

there shall not be any of the following:

- 2.10.7 a *loss of supply capacity* except as permitted by the demand connection criteria detailed in Section 3;
- 2.10.8 *unacceptable overloading* of any *primary transmission equipment*;
- 2.10.9 *unacceptable voltage conditions* or *insufficient voltage performance margins*; or
- 2.10.10 *system instability*.

2.11 Under *planned outage* conditions it shall be assumed that the prior circuit outage specified in paragraphs 2.10.4 and 2.10.6 reasonably forms part of the typical outage pattern referred to in paragraph [2.8.5](#) rather than in addition to that typical outage pattern.

Post-fault criteria – background condition with a *local system outage*

2.12 The *transmission capacity* for the connection of a *power station* shall also be planned such that for the background conditions described in paragraph 2.8 with a *local system outage* [on the onshore transmission system](#), the operational security criteria set out in Section 5 [and Section 9](#) can be met.

2.13 Where necessary to satisfy the criteria set out in paragraph 2.12, investment should be made in *transmission capacity* except where operational measures suffice to meet the criteria in paragraph 2.12 provided that maintenance access for each *transmission circuit* can be achieved and provided that such measures are economically justified. The operational measures to be considered include rearrangement of transmission outages and appropriate reselection of *generating units* from those expected to be available, for example through *balancing services*. Guidance on economic justification is given in Appendix E.

Switching Arrangements

2.14 Guidance on substation configurations and switching arrangements are described in Appendix A. These guidelines provide an acceptable way towards meeting the criteria of paragraph 2.6. However, other configurations and switching arrangements which meet those criteria are also acceptable.

Variations to Connection Designs

2.15 Variations, arising from a generation customer's request, to the generation connection design necessary to meet the requirements of paragraphs 2.5 to 2.13 shall also satisfy the requirements of this Standard provided that the varied design satisfies the conditions set out in paragraphs 2.16.1 to 2.16.3. For example, such a generation connection design variation may be used to take account of the particular characteristics of a *power station*.

2.16 Any generation connection design variation must not, other than in respect of the generation customer requesting the variation, either immediately or in the foreseeable future:

- 2.16.1 reduce the security of the *MITS* to below the minimum planning criteria specified in Section 4; or
- 2.16.2 result in additional investment or operational costs to any particular customer or overall, or a reduction in the security and quality of supply of the affected customers' connections to below the planning criteria in this section or Section 3, unless specific agreements are reached with affected customers; or
- 2.16.3 compromise any ~~GB~~ *transmission licensee's* ability to meet other statutory obligations or licence obligations.

2.17 Should system conditions subsequently change, for example due to the proposed connection of a new customer, such that either immediately or in the foreseeable future, the conditions set out in paragraphs 2.16.1 to 2.16.3 are no

longer satisfied, then alternative arrangements and/or agreements must be put in place such that this Standard continues to be satisfied.

2.18 The additional operational costs referred to in paragraph 2.16.2 and/or any potential reliability implications shall be calculated by simulating the expected operation of the [national electricityGB transmission system](#) in accordance with the operational criteria set out in [Section 5](#) [and Section 9](#). Guidance on economic justification is given in Appendix E.

3. Design of Demand Connections**Demand Connection Criteria** **Applicable to the Onshore Transmission System**

3.1 This section presents the planning criteria for the connection of *demand groups* to the remainder of the *GB-onshore transmission system*.

3.2 In those parts of the *GB-onshore transmission system* where the criteria of Section 2 and/or Section 4 also apply, those criteria must also be met.

3.3 In planning demand connections, this Standard is met if the connection design either:

3.3.1 satisfies the deterministic criteria detailed in paragraphs 3.5 to 3.10;
or

3.3.2 varies from the design necessary to meet paragraph 3.3.1 above in a manner which satisfies the conditions detailed in paragraphs 3.12 to 3.15.

3.4 It is permissible to design to standards higher than those set out in paragraphs 3.5 to 3.10 provided the higher standards can be economically justified. Guidance on economic justification is given in Appendix E.

Demand Connection Capacity Requirements

3.5 The connection of a particular *demand group* shall meet the criteria set out in paragraphs 3.6 to 3.10 under the following background conditions:

3.5.1 when there are no *planned outages*, the demand of the *demand group* shall be set equal to *group demand*;

3.5.2 when there is a *planned outage* local to the *demand group*, the demand of the *demand group* shall be set equal to *maintenance period demand*;

3.5.3 the contribution of a *power station* embedded within a customer's network (e.g. distribution network) shall be as specified in Table 3.2 for *demand groups* in the England and Wales area or Table 3.3 for *demand groups* in the SPT and SHETL areas;

3.5.4 any *transfer capacity* (i.e. the ability to transfer demand from one *demand group* to another) declared by *Network Operators* shall be represented taking account of any restrictions on the timescales in which the *transfer capacity* applies. Any *transfer capacity* declared by the *Network Operators* for use in planning timescales must be available for use in operational timescales; and

3.5.5 demand and generation outside the *demand group* shall be set in accordance with the *planned transfer conditions* using the appropriate method described in Appendix C.

3.6 The *transmission capacity* for the connection of a *demand group* shall be planned such that, for the background conditions described in paragraph 3.5, under intact system conditions there shall not be any of the following:

- 3.6.1 equipment loadings exceeding the *pre-fault rating*;
- 3.6.2 voltages outside the *pre-fault planning voltage limits* or *insufficient voltage performance margins*; or
- 3.6.3 *system instability*.

3.7 The *transmission capacity* for the connection of a *demand group* shall also be planned such that for the background conditions described in paragraph 3.5 and for the *planned outage* of a single *transmission circuit* or a single section of *busbar* or mesh corner, there shall not be any of the following:

- 3.7.1 a *loss of supply capacity* for a *group demand* of greater than 1 MW;
- 3.7.2 *unacceptable overloading* of any *primary transmission equipment*;
- 3.7.3 voltages outside the *pre-fault planning voltage limits* or *insufficient voltage performance margins*; or
- 3.7.4 *system instability*.

3.8 The *transmission capacity* for the connection of a *demand group* shall also be planned such that for the background conditions described in paragraph 3.5 and the initial conditions of

- 3.8.1 an *intact system* condition; or
- 3.8.2 the single *planned outage* of another *transmission circuit*, *generating unit*, a reactive compensator or other reactive power provider,

for the *secured event* of a *fault outage* of

- 3.8.3 a single *transmission circuit*,

there shall not be any of the following:

- 3.8.4 a *loss of supply capacity* such that the provisions set out in Table 3.1 are not met;
- 3.8.5 *unacceptable overloading* of any *primary transmission equipment*;
- 3.8.6 *unacceptable voltage conditions* or *insufficient voltage performance margins*; or
- 3.8.7 *system instability*.

3.9 In addition to the requirements of paragraphs 3.6 to 3.8, for the background conditions described in paragraph 3.5, the system shall also be planned such that operational switching does not cause *unacceptable voltage conditions*.

3.10 For a *secured event* on connections to more than one *demand group*, the permitted *loss of supply capacity* for that *secured event* is the maximum of the permitted *loss of supply capacities* set out in Table 3.1 for each of these *demand groups*.

Table 3.1 Minimum planning supply capacity following *secured events*

<i>Group Demand</i>	Initial system conditions	
	Intact system	With single <i>planned outage</i> Note 1
over 1500 MW	Immediately <i>Group Demand</i>	Immediately <i>Group Demand</i>
over 300 MW to 1500 MW	Immediately <i>Group Demand</i> Note 2	Immediately <i>Maintenance Period Demand</i> Within time to restore <i>planned outage</i> <i>Group Demand</i>
over 60 MW to 300 MW	Immediately <i>Group Demand</i> minus 20 MW Note 3 Within 3 hours <i>Group Demand</i>	Within 3 hours Smaller of (<i>Group Demand</i> minus 100 MW) and one-third of <i>Group Demand</i> . Within time to restore <i>planned outage</i> <i>Group Demand</i>
over 12 MW to 60 MW	Within 15 minutes Smaller of (<i>Group Demand</i> minus 12 MW) and two-thirds of <i>Group Demand</i> Within 3 hours <i>Group Demand</i>	Nil
over 1 MW to 12 MW	Within 3 hours <i>Group Demand</i> minus 1 MW In repair time <i>Group Demand</i>	Nil
up to 1 MW	In repair time <i>Group Demand</i>	Nil

Notes

1. The *planned outage* may be of a *transmission circuit*, *generating unit*, reactive compensator or other reactive power provider.
2. Up to 60MW may be lost for up to 60 seconds if this leads to significant economies.
3. The *group demand* may be lost for up to 60 seconds if this leads to significant economies

Table 3.2 Effective contribution of embedded *large power stations* to *demand group* importing capacity in the England and Wales area

Expected annual load factor of generation	Initial system conditions	
	<i>Intact system</i>	with single <i>Planned Outage</i>
Over 30%	67% of <i>Registered Capacity</i>	For demand groups greater than 60MW only 67% of <i>Registered Capacity</i>
Over 10% to 30%	Smaller of 67% of <i>Registered Capacity</i> and 20% of <i>Group Demand</i>	For demand groups greater than 300MW only Smaller of 67% of <i>Registered Capacity</i> and 13% of <i>Group Demand</i>
up to 10%	Smaller of 67% of <i>Registered Capacity</i> and 10% of <i>Group Demand</i>	For demand groups greater than 300MW only Smaller of 67% of <i>Registered Capacity</i> and 7% of <i>Group Demand</i>

Table 3.3 Effective contribution of embedded generation to *demand group* importing capacity in the SPT and SHETL areas

Type of generation	Initial system conditions		Notes
	<i>Intact system</i>	with single <i>Planned Outage</i>	
Steam units	67% of <i>Registered Capacity</i>	For demand groups greater than 60MW only 67% of <i>Registered Capacity</i>	Over 30% load factor
Gas turbine units	67% of <i>Registered Capacity</i>	For demand groups greater than 60MW only 67% of <i>Registered Capacity</i>	The contributions should be restricted to supplying that part of the demand which is not required to be supplied immediately following a <i>secured event</i> and/or to relieving short term overloads of transmission or distribution circuits following such events
Steam units	Smaller of 67% of <i>Registered Capacity</i> and 20% of <i>Group Demand</i>	For demand groups greater than 300MW only Smaller of 67% of <i>Registered Capacity</i> and 13% of <i>Group Demand</i>	Over 10% to 30% load factor
Steam units	Smaller of 67% of <i>Registered Capacity</i> and 10% of <i>Group Demand</i>	For demand groups greater than 300MW only Smaller of 67% of <i>Registered Capacity</i> and 7% of <i>Group Demand</i>	up to 10% load factor

Switching Arrangements

3.11 Guidance on substation configurations and switching arrangements are described in Appendix A. These guidelines provide an acceptable way towards meeting the criteria of this chapter. However, other configurations and switching arrangements which meet the criteria are also acceptable.

Variations to Connection Designs

3.12 Variations, arising from a demand customer's request, to the demand connection design necessary to meet the requirements of paragraphs 3.5 to 3.10 shall also satisfy the requirements of this Standard provided that the varied design satisfies the conditions set out in paragraphs 3.13.1 to 3.13.3. For example, such a demand connection design variation may be used to reflect the nature of connection of embedded generation or particular load cycles.

3.13 Any demand connection design variation must not, other than in respect of the demand customer requesting the variation, either immediately or in the foreseeable future:

- 3.13.1 reduce the security of the *MITS* to below the minimum planning criteria specified in Section 4; or
- 3.13.2 result in additional investment or operational costs to any particular customer or overall, or a reduction in the security and quality of supply of the affected customers' connections to below the planning criteria in this section or Section 2, unless specific agreements are reached with affected customers; or
- 3.13.3 compromise any ~~GB~~-transmission licensee's ability to meet other statutory obligations or licence obligations.

3.14 Should system conditions change, for example due to the proposed connection of a new customer, such that either immediately or in the foreseeable future, the conditions set out in paragraphs 3.13.1 to 3.13.3 are no longer satisfied, then alternative arrangements and/or agreements must be put in place such that this Standard continues to be satisfied.

3.15 The additional operational costs referred to in paragraph 3.13.2 and/or any potential reliability implications shall be calculated by simulating the expected operation of the [national electricityGB transmission system](#) in accordance with the operational criteria set out in Section 5 [and Section 9](#). Guidance on economic justification is given in Appendix E.

4. Design of the *Main Interconnected Transmission System*

4.1 This section presents the planning criteria for the *Main Interconnected Transmission System (MITS)*.

4.2 In those parts of the [GB-onshore](#) transmission system where the criteria of Section 2 and/or Section 3 also apply, those criteria must also be met. In those parts of the *offshore transmission system* where the criteria of Section 7 and/or Section 8 also apply, those criteria must also be met.

4.3 In planning the *MITS*, this Standard is met if the design satisfies the minimum deterministic criteria detailed in paragraphs 4.4 to 4.12. It is permissible to design to standards higher than those set out in paragraphs 4.4 to 4.12 provided the higher standards can be economically justified. Guidance on economic justification is given in Appendix E.

Minimum *Transmission capacity* Requirements

At ACS peak demand with an intact system

4.4 The *MITS* shall meet the criteria set out in paragraphs 4.5 to 4.6 under the following background conditions:

- 4.4.1 *generating units'* outputs shall be set to those which ought reasonably to be foreseen for that demand;
- 4.4.2 power flows shall be set to those arising from the *planned transfer condition* (using the appropriate method described in Appendix C) prior to any fault, and such power flows modified by an appropriate application of the *interconnection allowance* (using the methods described in Appendix D) under *secured events*;
- 4.4.3 sensitivity cases on the conditions described in 4.4.2 shall comprise *generating units* with output equal to their *registered capacities* such that the required power transfers described in 4.4.2 above are approximated by selection of individual units; and
- 4.4.4 the expected availability of generation reactive capability shall be set to that which ought reasonably to be expected to arise. This shall take into account the variation of reactive capability with the active power output (for example, as defined in the machine performance chart). In the absence of better data the expected available capability shall not exceed 90% of the Grid Code specified capability, (unless modified by a direction of the *Authority*) or 90% of the contracted capability for the active power output level, whichever is relevant.

4.5 The minimum *transmission capacity* of the *MITS* shall be planned such that, for the background conditions described in paragraph 4.4, prior to any fault there shall not be:

- 4.5.1 equipment loadings exceeding the *pre-fault rating*;

- 4.5.2 voltages outside the *pre-fault planning voltage limits* or *insufficient voltage performance margins*; or
- 4.5.3 *system instability*.

4.6 The minimum *transmission capacity* of the *MITS* shall also be planned such that for the conditions described in paragraph 4.4 and for the *secured event* of a *fault outage* of any of the following:

- 4.6.1 a single *transmission circuit*, a reactive compensator or other reactive power provider;
- 4.6.2 a *double circuit overhead line* on the *supergrid*;
- 4.6.3 a *double circuit overhead line* where any part of either circuit is in the England and Wales area or the SHETL area;
- 4.6.4 a section of *busbar* or mesh corner; or
- 4.6.5 provided both the *fault outage* and prior outage involve plant in the England and Wales area, any single *transmission circuit* with the prior outage of another *transmission circuit*, or a *generating unit*, reactive compensator or other reactive power provider,

there shall not be any of the following:

- 4.6.6 *loss of supply capacity* (except as permitted by the demand connection criteria detailed in Section 3 [and Section 8](#));
- 4.6.7 *unacceptable overloading* of any *primary transmission equipment*;
- 4.6.8 *unacceptable voltage conditions* or *insufficient voltage performance margins*; or
- 4.6.9 *system instability*.

Under conditions in the course of a year of operation

4.7 The *MITS* shall meet the criteria set out in paragraphs 4.8 to 4.10 under the following background conditions:

- 4.7.1 conditions on the [national electricity GB](#) ~~transmission system~~ shall be set to those which ought reasonably to be foreseen to arise in the course of a year of operation. Such conditions shall include forecast demand cycles, typical *power station* operating regimes and typical *planned outage* patterns; and
- 4.7.2 the expected availability of generation reactive capability shall be set to that which ought reasonably to be expected to arise. This shall take into account the variation of reactive capability with the active power output (for example, as defined in the machine performance chart). In the absence of better data the expected available capability shall not exceed 90% of the Grid Code specified capability, (unless modified by a direction of the *Authority*) or 90% of the contracted capability for the active power output level, whichever is relevant.

4.8 The minimum *transmission capacity* of the *MITS* shall be planned such that, for the background conditions described in paragraph 4.7, prior to any fault there shall not be

- 4.8.1 equipment loadings exceeding the *pre-fault rating*;
- 4.8.2 voltages outside the *pre-fault planning voltage limits* or *insufficient voltage performance margins*; or
- 4.8.3 *system instability*.

4.9 The minimum *transmission capacity* of the *MITS* shall also be planned such that, for the background conditions described in paragraph 4.7, the operational security criteria set out in Section 5 can be met.

4.10 Where necessary to satisfy the criteria set out in paragraphs 4.8 and 4.9, investment should be made in *transmission capacity* except where operational measures suffice to meet the criteria in paragraphs 4.8 and 4.9 provided that maintenance access for each *transmission circuit* can be achieved and provided that such measures are economically justified. The operational measures to be considered include rearrangement of transmission outages and appropriate reselection of *generating units* from those expected to be available, for example through *balancing services*. Guidance on economic justification is given in Appendix E.

General criteria

4.11 In addition to the requirements set out in paragraphs 4.4 to 4.10, the system shall also be planned such that operational switching does not cause *unacceptable voltage conditions*.

4.12 *Transmission circuits* comprising the *supergrid* part of the *MITS* shall not exceed the circuit complexity limit defined in paragraphs B.3 to B.7 of Appendix B.

4.13 Guidance on complexity of *transmission circuits* on the *MITS* operated at a nominal voltage of 132kV is given in paragraphs B.8 to B.13 of Appendix B. Relaxation of the restrictions cited in paragraphs B.8 to B.13 may be justified in certain circumstances following appropriate liaison between the relevant transmission licensees responsible for the design of the circuits and their operation.

Switching Arrangements

4.14 Guidance on substation configurations and switching arrangements are described in Appendix A. These guidelines provide an acceptable way towards meeting the criteria of this section. However, other configurations and switching arrangements which meet the criteria are also acceptable.

5. Operation of the GB Onshore transmission-Transmission systemSystem

Normal Operational Criteria

5.1 The GB-onshore transmission system shall be operated under prevailing system conditions so that for the secured event of a fault outage on the onshore transmission system of any of the following:

- 5.1.1 a single *transmission circuit*, a reactive compensator or other reactive power provider; or
- 5.1.2 the most onerous *loss of power infeed*; or
- 5.1.3 where the system is designed to be secure against a *fault outage* of a section of *busbar* or mesh corner under *planned outage* conditions, a section of *busbar* or mesh corner,

there shall not be any of the following:

- 5.1.4 a *loss of supply capacity* except as specified in Table 5.1;
- 5.1.5 *unacceptable frequency conditions*;
- 5.1.6 *unacceptable overloading* of any *primary transmission equipment*;
- 5.1.7 *unacceptable voltage conditions*; or
- 5.1.8 *system instability*.

5.2 For a secured event on the onshore transmission system on connections to more than one *demand group* the permitted loss of supply capacity for that *secured event* is the maximum of the permitted loss of supply capacities set out in Table 5.1 for each of these *demand groups*.

5.3 The GB-onshore transmission system shall be operated under prevailing system conditions so that for the secured event on the onshore transmission system of a *fault outage* of:

- 5.3.1 a *double circuit overhead line*; or
- 5.3.2 a section of *busbar* or mesh corner,

there shall not be any of the following:

- 5.3.3 a *loss of supply capacity* greater than 1500 MW;
- 5.3.4 *unacceptable frequency conditions*; or
- 5.3.5 *unacceptable voltage conditions* affecting one or more *Grid Supply Points* for which the total *group demands* greater than 1500 MW; or
- 5.3.6 *system instability* of one or more *generating units* connected to the *supergrid*.

5.4 The GB onshore transmission system shall be operated under prevailing system conditions so that for the secured event on the supergrid of a fault outage of:

5.4.1 a double circuit overhead line where any part of either circuit is in the England and Wales area; or

5.4.2 a section of busbar or mesh corner in the England and Wales area,
there shall not be:

5.4.3 unacceptable overloading of primary transmission equipment in the England and Wales area;

5.4.4 unacceptable voltage conditions in the England and Wales area.

Table 5.1 Maximum permitted loss of supply capacity following secured events

Group Demand	Initial system conditions	
	Prevailing system conditions with no local system outage Note 1,2	Prevailing system conditions with a local system outage Note 1
over 1500 MW	None	None Note 3
over 300 MW to 1500 MW	None Note 4	None Note 3
over 60 MW to 300 MW	None except that where such facilities and suitable measures for restoration are available, up to 20 MW by automatic disconnection Note 5	Whole group up to Group Demand for up to the operational specified time to restore supply capacity
over 12 MW to 60 MW	None except that where such facilities and suitable measures for restoration are available, up to 12 MW by automatic disconnection for up to 15 minutes.	Whole group up to Group Demand
over 1 MW to 12 MW	Whole group up to Group Demand for up to the operational specified time to restore supply capacity	Whole group up to Group Demand
up to 1 MW	Whole group up to Group Demand for up to the operational specified time to restore supply capacity	Whole group up to Group Demand

Notes

1. The time to restore any lost supply capacity shall be as short as practicable. If any part of any lost supply capacity can be restored in less than the specified maximum time to restore all of it, it shall be restored.
2. Where the supply capacity was designed in such a way, there should be no loss of supply capacity.
3. Where the supply capacity to the Grid Supply Point was designed in accordance with the demand connection criteria in Section 3 in such a way as to permit it, a loss of supply capacity equal to any amount by which the prevailing demand exceeds the maintenance period demand may be

permitted up to a maximum of 1500 MW for no longer than the operational specified time to restore supply capacity.

4. Where the supply capacity to the *Grid Supply Point* was designed in accordance with the demand connection criteria in Section 3 in such a way as to permit it, up to 60 MW may be lost for up to 60 seconds.
5. Where the supply capacity to the *Grid Supply Point* was designed in accordance with the demand connection criteria in Section 3 in such a way as to permit it, up to the *group demand* may be lost for up to 60 seconds.

Conditional Further Operational Criteria

5.5 If:

5.5.1 *conditions are adverse such that the likelihood of a double circuit overhead line fault is significantly higher than normal; or*

5.5.2 *there is no significant economic justification for failing to secure the onshore transmission system to this criterion and the probability of loss of supply capacity is not increased by following this criterion,*

the GB-onshore transmission system shall be operated under prevailing system conditions so that for the secured event of

5.5.3 *a fault outage on the supergrid of a double circuit overhead line*

there shall not be:

5.5.4 *where possible and there is no significant economic penalty, any loss of supply capacity greater than 300 MW;*

5.5.5 *unacceptable overloading of any primary transmission equipment;*

5.5.6 *unacceptable voltage conditions;*

5.5.7 *system instability.*

5.6 During periods of *major system risk*, NGC may implement measures to mitigate the consequences of this risk. Such measures may include: providing additional reserve; reducing system-to-generator intertrip risks, securing as far as possible appropriate two-circuit combinations, or reducing system transfers, for example through *balancing services*.

5.7 In the case that neither of the conditions in paragraphs 5.5.1 and 5.5.2 is met, it is acceptable to utilise short term post fault actions to avoid *unacceptable overloading of primary transmission equipment* which may include a requirement for demand reduction; however, this will not be used as a method of increasing reserve to cover abnormal post fault generation reduction. Where possible these post fault actions shall be notified to the appropriate *Network Operator* or *Generator*. Normally the provisions of the Grid Code, in respect of Emergency Manual Demand Disconnection and/or, for example through *balancing services*, will be applied. Additional post fault actions beyond the Grid Code provisions may be applied, but only where they have been agreed in advance with the appropriate *Network Operator* or *Generator*.

Post-fault Restoration of System Security

5.8 Following the occurrence of a *secured event* [on the onshore transmission system](#), measures shall be taken to re-secure the system to the above operational criteria as soon as reasonably practicable. To this end, it is permissible to put operational measures in place pre-fault to facilitate the speedy restoration of system security.

Authorised Variations From the Operational Criteria

5.9 Provided it is in accordance with the appropriate requirements of the demand connection criteria in Section 3, there may be associated *loss of supply capacity* due to a *secured event*, for example by virtue of the design of the generation connections and/or the designed switching arrangements at the substations concerned.

5.10 Exceptions to the criteria in paragraphs 5.1 to 5.8 may be required where variations to the connection designs as per paragraphs 3.12 to 3.15 have been agreed.

5.11 The principles of these operational criteria shall be applied at all times except in special circumstances where NGC, following consultation with the appropriate *Network Operator*, *Generator* or *Non-Embedded Customer*, may need to give instructions to the contrary to preserve overall system integrity.

6. Voltage Limits in Planning and Operating the [GB Onshore Transmission System](#)

Voltage Limits in Planning Timescales

6.1 The *pre-fault planning voltage limits on the onshore transmission system* are as shown in Table 6.1.

Table 6.1 *Pre-fault planning voltage limits*

Nominal voltage	Minimum	Maximum
400kV	390kV (97.5%)	410kV (102.5%) Note 1
275kV	261kV (95%)	289kV (105%)
132kV in SPT and SHETL areas	Note 2	139kV (105%)
< 275kV in the England and Wales area and < 132kV in SPT and SHETL areas	Note 3	105%

Notes

1. 420kV (+5%) is permissible for no longer than 15 minutes.
2. There is no minimum planning voltage provided that Note 3 can be observed for a lower voltage derived from the 132kV transmission system.
3. There is no minimum planning voltage for a lower voltage supply provided that it is possible (for example by tap changing) to achieve up to 105% of nominal voltage at the busbar on the LV side of a transformer stepping down from the [GB onshore transmission system](#) at a GSP.

6.2 A voltage condition [on the onshore transmission system](#) is unacceptable in planning timescales if, after either

- 6.2.1 a *secured event*, or
- 6.2.2 operational switching,

and the affected site remains directly connected to the [GB onshore transmission system](#) in the *steady state* after the relevant event above, either of the following conditions applies:

- 6.2.3 the *voltage step change* at an interface between the [GB onshore transmission system](#) and a customer exceeds that specified in Table 6.2, or
- 6.2.4 there is any inability following such an event to achieve a *steady state* voltage as specified in Table 6.3 at [GB onshore transmission system](#) substations or GSPs using manual and/or automatic facilities available, including the switching in or out of relevant equipment.

6.3 The *steady state* voltages are to be achieved without widespread post-fault generation transformer re-tapping or post-fault adjustment of SVC set points to increase the reactive power output or to avoid exceeding the available reactive capability of generation or SVCs.

6.4 The *voltage step change* limits must be applied with load response taken into account.

Table 6.2 The *voltage step change* limits in planning timescales

Area	Voltage fall	Voltage rise
England and Wales, following <i>secured events</i>	-6% Note 2,3	+6%
England and Wales, following operational switching less frequent than specified in ER P28	-3%	+3%
England and Wales, following operational switching of frequencies covered by ER P28	In accordance with ER P28	
SPT	-6% Note 1	+6%
SHETL	-6% Note 1,2,3	+6%

Notes

1. This is relaxed to –12% if the fault involves the loss of a *double circuit* overhead line.
2. This is relaxed to –12% if the fault involves the loss of a section of *busbar* or a mesh corner.
3. This is relaxed to –12% if the fault includes the loss of a *supergrid* transformer.

Table 6.3 The *steady state* voltage limits in planning timescales

Nominal voltage	Minimum	Maximum
400kV	380kV (95%) Note 1	410kV (102.5%) Note 2
275kV	248kV (90%)	289kV (105%)
132kV	Note 3	139kV (105%)
<132kV	Note 3	105%

Notes

1. It is permissible to relax this to 360kV (-10%) if:
 - the affected substations are on the same radially fed spur post-fault;
 - there is no lower voltage interconnection from these substations to other *supergrid* substations; and
 - no auxiliaries of *large power stations* are derived from them.
2. It is permissible to relax this to 420kV (+5%) if lasting for no longer than 15 minutes.
3. It shall be possible to operate the lower voltage *busbar* of a *GSP* up to 100% of nominal voltage unless the *secured event* includes the simultaneous loss of a *supergrid* transformer.

Voltage Limits in Operational Timescales

6.5 A voltage condition is unacceptable in operational timescales if, after either

6.5.1 a *secured event*, or

6.5.2 operational switching in England Wales,

and the affected site remains directly connected to the [GB-onshore transmission system](#) in the *steady state* after the relevant event above, either of the following conditions applies:

6.5.3 the *voltage step change* at an interface between the [GB onshore transmission system](#) and a customer exceeds that specified in Table 6.4, or

6.5.4 there is any inability following such an event to achieve a *steady state* voltage as specified in Table 6.5 at [GB-onshore transmission system](#) substations or GSPs using manual and/or automatic facilities available, including the switching in or out of relevant equipment.

6.6 Where possible, the steady state pre-fault voltage on the [GB-onshore transmission system](#) will be no lower than 95% of nominal. The target operational voltages at GSPs should be as agreed with relevant Network Operators.

Table 6.4 The *voltage step change* limits in operational timescales

Area	Voltage fall	Voltage rise
England and Wales, following <i>secured events</i>	-6% Notes 1, 2	+6%
England and Wales, following operational switching less frequent than specified in ER P28	-3%	+3%
England and Wales, following operational switching of frequencies covered by ER P28	In accordance with ER P28	
SPT	-6% Note 1	+6%
SHETL	-6% Notes 1, 2, 3	+6%

Notes

1. This is relaxed to -12% if the fault involves the loss of a *double circuit* overhead line.
2. This is relaxed to -12% if the fault involves the loss of a section of *busbar* or a mesh corner.
3. This is relaxed to -12% if the fault includes the loss of a *supergrid* transformer.

Table 6.5 The *steady state* voltage limits in operational timescales

Nominal Voltage	Area		
	England and Wales	SPT	SHETL

Nominal Voltage		Area		
		England and Wales	SPT	SHETL
400kV	Minimum	360kV (90%)	360kV (90%)	360kV (90%)
	Maximum	420kV (105%) Note 1	420kV (105%) Note 2	420kV (105%) Note 2
275kV	Minimum	248kV (90%)	248kV (90%)	248kV (90%)
	Maximum	303kV (110%)	303kV (110%) Note 3	303kV (110%) Note 3
132kV	Minimum	119kV (90%)	119kV (90%)	119kV (90%)
	Maximum	145kV (110%)	145kV (110%) Note 4	145kV (110%) Note 4
Less Than 132kV	Minimum	94%	95%	94%
	Maximum	106%	105%	106%

Notes

1. May be relaxed to 440kV (110%) for no longer than 15 minutes.
2. May be relaxed to 440kV (110%) for no longer than 15 minutes following a *major system fault*.
3. May be relaxed to 316kV (115%) for no longer than 15 minutes following a *major system fault*.
4. May be relaxed to 158kV (120%) for no longer than 15 minutes following a *major system fault*.

7. Generation Connection Criteria Applicable to an Offshore Transmission System

7.1 This section presents the planning criteria applicable to the connection of one or more offshore power stations to an offshore transmission system. The criteria in this section apply from the offshore grid entry point/s (GEP) at which each offshore power station connects to an offshore transmission system, through the remainder of the offshore transmission system to the point of connection at the first onshore substation, which is the interface point (IP) in the case of a direct connection to the onshore transmission system or the user system interface point (USIP) in the case of a connection to an onshore user system.

7.2 The generation connection criteria, applicable to an offshore transmission system, presented in this section, are based on a series of cost benefit analyses. The scope of those analyses was bounded by certain pragmatic assumptions, which recognised the technology available at the time the analyses were carried out. Accordingly, the generation connection criteria presented in this section should only be applied up to those limits. The limits are:

7.2.1 the capacity for offshore power park modules was limited to a maximum of 1500MW;

7.2.2 the capacity of offshore gas turbines was limited to a maximum of 200MW per platform;

7.2.3 the distance from an offshore grid entry point on an offshore platform to the interface point or user system interface point (as the case may be) at the first onshore substation was limited to a maximum of 100km;

7.2.4 the length of any overhead line section of an offshore transmission system was limited to a maximum of 50km; and

7.2.5 Radial offshore network configurations only have been considered. Until reviewed. Section 4 shall apply in respect of interconnected offshore networks.

The above limits will be subject to periodic review in the light of technological developments and experience. The limits should not be exceeded without justification provided by further review.

7.3 Planning criteria are defined for all elements of an *offshore transmission system* including: the *offshore transmission circuits* and equipment on the *offshore platform* (whether AC or DC); the *offshore transmission circuits* from the *offshore platform* to the *interface point* or *user system interface point* (as the case may be) including undersea cables and any overhead lines (whether AC or DC); and any onshore AC voltage transformation facilities or *DC converter* facilities.

7.4 In those parts of the *national electricity transmission system* where the criteria of Section 8 and/or Section 4 also apply, those criteria must also be met.

7.5 In planning offshore generation connections, this Standard is met if the connection design either:

7.5.1 satisfies the deterministic criteria detailed in paragraphs 7.7 to 7.19; or

7.5.2 varies from the design necessary to meet paragraph 7.5.1 above in a manner which satisfies the conditions detailed in paragraphs 7.21 to 7.24.

7.6 It is permissible to design to standards higher than those set out in paragraphs 7.7 to 7.19 provided the higher standards can be economically justified. Guidance on economic justification is given in Appendix E.

Limits to Loss of Power Infeed Risks

7.7 For the purpose of applying the criteria of paragraphs 7.8 to 7.13, the *loss of power infeed* resulting from a *secured event* shall be calculated as follows:

7.7.1 the sum of the *registered capacities* of the *offshore power park modules* or offshore gas turbines disconnected from the system by a *secured event*, less

7.7.2 the *forecast minimum demand* disconnected from the system by the same event but excluding (from the deduction) any demand forming part of the *forecast minimum demand* which may be automatically tripped for system frequency control purposes and excluding (from the deduction) the demand of the largest single end customer.

Offshore Platforms (AC and DC)

7.8 Offshore generation connections on *offshore platforms* shall be planned such that, starting with an *intact system*, the consequences of *secured events* on the *offshore transmission system* shall be as follows:

7.8.1 AC Circuits on an offshore platform

7.8.1.1 In the case of offshore power park module only connections, and where the offshore grid entry point capacity is 90MW or more, following a planned outage or a fault outage of a single AC offshore transformer circuit on the offshore platform, the loss of power infeed shall not exceed the smallest of either:

50% of the offshore grid entry point capacity; or
the full normal infeed loss risk.

7.8.1.2 In the case of gas turbine only connections, and where the offshore grid entry point capacity is 90MW or more, following a planned outage or a fault outage of a single AC offshore transmission circuit on the offshore platform, there shall be no loss of power infeed;

7.8.1.3 Following a fault outage of a single AC offshore transmission circuit on the offshore platform, during a planned outage of another AC offshore transmission circuit on the offshore platform, the further loss of power infeed shall not exceed the infrequent infeed loss risk.

7.8.2 DC Circuits on an offshore platform

7.8.2.1 Following a planned outage or a fault outage of a single DC converter on the offshore platform, the loss of power infeed shall not exceed the normal infeed loss risk;

7.8.2.2 Following a fault outage of a single DC converter on the offshore platform, during a planned outage of another DC converter on the offshore platform, the further loss of power infeed shall not exceed the infrequent infeed loss risk.

7.8.3 Busbars and Switchgear on an offshore platform

7.8.3.1 Following a planned outage of any single section of busbar or mesh corner, the loss of power infeed shall not exceed the normal infeed loss risk;

7.8.3.2 Following a fault outage of any single section of busbar or mesh corner, the loss of power infeed shall not exceed the infrequent infeed loss risk;

7.8.3.3 Following a fault outage of any single busbar coupler circuit breaker or busbar section circuit breaker or mesh circuit

breaker, the loss of power infeed shall not exceed the infrequent infeed loss risk;

7.8.3.4 Following a fault outage of any single section of busbar or mesh corner, during a planned outage of any other single section of busbar or mesh corner, the loss of power infeed shall not exceed the infrequent infeed loss risk;

7.8.3.5 Following a fault outage of any single busbar coupler circuit breaker or busbar section circuit breaker or mesh circuit breaker, during a planned outage of any single section of busbar or mesh corner, the loss of power infeed shall not exceed the infrequent infeed loss risk.

Cable Circuits (AC and DC)

7.9 The transmission connections between one offshore platform and another offshore platform or from an offshore platform to the interface point or user system interface point at the first onshore substation shall be planned such that, starting with an intact system and for the full offshore grid entry point capacity at the offshore grid entry point, the consequences of secured events shall be as follows:

7.9.1 Following a planned outage or a fault outage of a single cable offshore transmission circuit, the loss of power infeed shall not exceed the infrequent infeed loss risk, and

7.9.2 Following a fault outage of a single cable offshore transmission circuit during a planned outage of another cable offshore transmission circuit the further loss of power infeed shall not exceed the infrequent infeed loss risk.

Overhead Line Sections (AC and DC)

7.10 In the case AC overhead line connections of 132kV, between the incoming AC cable offshore transmission circuits and the first onshore substation or the onshore AC transformation facilities (as the case may be), the justification for a minimum of one circuit or two circuits is illustrated in Figure 7.1. In Figure 7.1 the justification is presented as a function of route length and offshore grid entry point capacity. The area above the line represents justification for a minimum of two circuits and the area below the line represents justification for a minimum of one circuit.

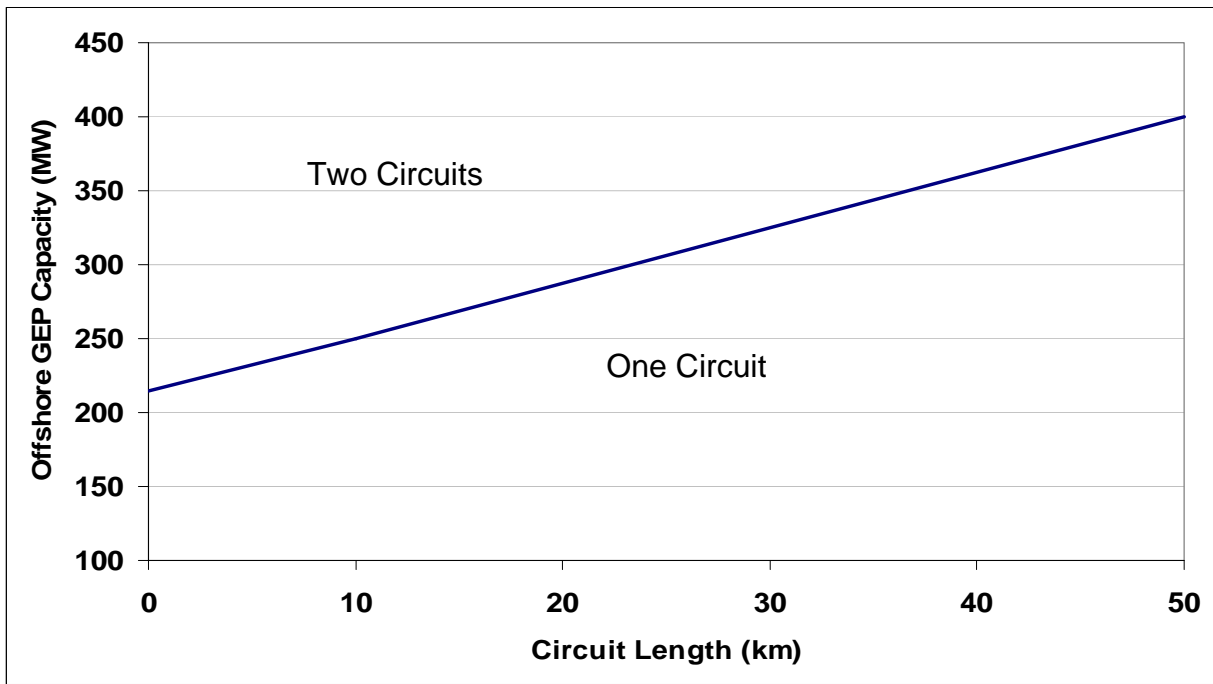


Figure 7.1 Justification for a Minimum of One Circuit or a Minimum of Two Circuits for 132kV AC Overhead Lines

7.11 In the case of AC overhead line connections of 220kV or above, between the incoming AC cable offshore transmission circuits and the first onshore substation or the onshore AC transformation facilities (as the case may be), a single circuit is justified as a minimum for offshore grid entry point capacities of 1250MW or less and two circuits are justified as a minimum for offshore grid entry point capacities greater than 1250MW.

7.12 Overhead line (AC or DC) connections between the cable (AC or DC) offshore transmission circuits and the first onshore substation or the onshore AC transformation facilities or DC conversion facilities, as the case may be, shall be planned such that, starting with an intact system and for the full offshore grid entry point capacity at the offshore grid entry point, the consequences of a secured event on the offshore transmission system shall be as follows:

7.12.1 Following a planned outage or a fault outage of a single overhead line circuit, the loss of power infeed shall not exceed the infrequent infeed loss risk;

7.12.2 Following a fault outage of a single overhead line circuit during a planned outage of another overhead line circuit, the further loss of power infeed shall not exceed the infrequent infeed loss risk.

Onshore Connection Facilities (AC and DC)

7.13 The transmission connections at the onshore AC transformation or DC conversion facilities shall be planned such that, starting with an intact system,

the consequences of secured events on the offshore transmission system shall be as follows;

7.13.1 AC Circuits

7.13.1.1 In the case of offshore power park module only connections, and where the offshore grid entry point capacity is 120MW or more, following a planned outage or a fault outage of a single AC offshore transformer circuit at the onshore AC transformation facilities, the loss of power infeed shall not exceed the smallest of either:

50% of the offshore grid entry point capacity; or
the full normal infeed loss risk.

7.13.1.2 In the case of gas turbine only connections, following a planned outage or a fault outage of a single AC offshore transmission circuit at the onshore AC transformation facilities, the loss of power infeed shall not exceed the normal infeed loss risk;

7.13.1.3 Following a fault outage of a single AC offshore transmission circuit at the onshore AC transformation facilities, during a planned outage of another AC offshore transmission circuit at the onshore AC transformation facilities, the further loss of power infeed shall not exceed the infrequent infeed loss risk.

7.13.2 DC Circuits

7.13.2.1 Following a planned outage or a fault outage of a single DC converter at the onshore DC conversion facilities, the loss of power infeed shall not exceed the normal infeed loss risk;

7.13.2.2 Following a fault outage of a single DC converter at the onshore DC conversion facilities, during a planned outage of another DC converter at the onshore DC conversion facilities, the further loss of power infeed shall not exceed the infrequent infeed loss risk.

7.13.3 Busbars and Switchgear

7.13.3.1 In the case of offshore power park module connections or multiple gas turbine connections, following a planned outage of any single section of busbar or mesh corner, no loss of power infeed shall occur;

7.13.3.2 In the case of a single gas turbine connection, following a planned outage of any single section of busbar or mesh

corner, the loss of power infeed shall not exceed the infrequent infeed loss risk;

7.13.3.3 Following a fault outage of any single section of busbar or mesh corner, the loss of power infeed shall not exceed the infrequent infeed loss risk;

7.13.3.4 Following a fault outage of any single busbar coupler circuit breaker or busbar section circuit breaker or mesh circuit breaker, the loss of power infeed shall not exceed the infrequent infeed loss risk;

7.13.3.5 Following a fault outage of any single section of busbar or mesh corner, during a planned outage of any other single section of busbar or mesh corner, the loss of power infeed shall not exceed the infrequent infeed loss risk;

7.13.3.6 Following a fault outage of any single busbar coupler circuit breaker or busbar section circuit breaker or mesh circuit breaker, during a planned outage of any single section of busbar or mesh corner, the loss of power infeed shall not exceed the infrequent infeed loss risk.

Generation Connection Capacity Requirements

Background conditions

7.14 The connection of a particular offshore power station shall meet the criteria set out in paragraphs 7.15 to 7.24 under the following background conditions:

7.14.1 the active power output of the offshore power station shall be set to deliver active power at the offshore grid entry point equal to its registered capacity;

7.14.2 the reactive power output of the offshore power station shall normally, and unless otherwise agreed, be set to deliver zero reactive power at the offshore grid entry point with active power output equal to registered capacity; and the reactive power delivered at the interface point shall be set in accordance with the reactive requirements placed on the offshore transmission licensee set out in Section K of the STC (System Operator – Transmission Owner Code); and

7.14.3 conditions on the national electricity transmission system shall be set to those which ought reasonably to be expected to arise in the course of a year of operation. Such conditions shall include forecast demand cycles, typical power station operating regimes and typical planned outage patterns modified where appropriate by the provisions of paragraph 7.17.

Pre-Fault Criteria – background conditions of no local system outage

7.15 The transmission capacity of the offshore transmission circuits for the connection of one or more offshore power stations shall be planned such that, for the background conditions described in paragraph 7.14, with no local system outage and prior to any fault, there shall not be any of the following:

7.15.1 Equipment loadings exceeding the pre-fault rating;

7.15.2 Voltages outside the pre-fault planning voltage limits or insufficient voltage performance margins; or

7.15.3 System instability.

Post-Fault Criteria – background conditions of no local system outage

7.16 The transmission capacity of the offshore transmission circuits for the connection of one or more offshore power stations shall also be planned such that for the background conditions described in paragraph 7.14 with no local system outage and for the secured event on the offshore transmission system of any of the following:

7.16.1 In the case of an offshore power park module connection with an OffGEP capacity of 90MW or more, with the OffGEP capacity reduced by 50%, a fault outage or planned outage of a single AC offshore transmission circuit on the offshore platform;

7.16.2 In the case of an offshore power park module connection with an OffGEP capacity of 120MW or more, with the OffGEP capacity reduced to 50%, a fault outage or a planned outage of a single AC offshore transmission circuit at the onshore transformation facilities

And in all cases other than specified in 7.16.1 and 7.16.2 above:

7.16.3 a fault outage or a planned outage of a single offshore transmission circuit;

And in all cases:

7.16.4 a fault outage or a planned outage of a single reactive compensator or other reactive provider;

7.16.5 a fault outage of a single offshore transmission circuit during a planned outage of another offshore transmission circuit;

7.16.6 a fault outage or a planned outage of a single section of busbar or mesh corner;

There shall not be any of the following:

7.16.7 a loss of supply capacity except as permitted by the demand connection criteria detailed in Section 8;

7.16.8 Unacceptable overloading of any primary transmission equipment;

7.16.9 Unacceptable voltage conditions or insufficient voltage performance margins; or

7.16.10 System instability.

7.17 Under planned outage conditions it shall be assumed that the planned outage specified in paragraphs 7.16.5 reasonably forms part of the typical outage pattern referred to in paragraph 7.14 rather than in addition to the typical outage pattern.

Post-fault criteria – background conditions with a local system outage

7.18 The transmission capacity of the offshore transmission circuits for the connection of one or more offshore power stations to an offshore transmission system shall also be planned such that, for the background conditions described in paragraph 7.14 with a local system outage, the operational security criteria set out in Section 9 can be met.

7.19 Where necessary to satisfy the criteria set out in paragraph 7.18, investment should be made in transmission capacity except where operational measures suffice to meet the criteria in paragraph 7.18 provided that maintenance access for each offshore transmission circuit can be achieved and provided that such measures are economically justified. The operational measures to be considered include rearrangement of transmission outages and appropriate reselection of generating units from those expected to be available, for example through balancing services. Guidance on economic justification is given in Appendix E.

Switching Arrangements

7.20 Guidance on offshore substation configurations and switching arrangements are described in Appendix A. These guidelines provide an acceptable way towards meeting the criteria of paragraphs 7.8 to 7.13. However, other configurations and switching arrangements which meet those criteria are also acceptable.

Variations to Connection Designs

7.21 Variations, arising from a generation customer's request, to the generation connection design necessary to meet the requirements of paragraphs 7.7 to 7.19 shall also satisfy the requirements of this Standard provided that the varied design satisfies the conditions set out in paragraphs 7.22.1 to 7.22.3. For example, such a

generation connection design variation may be used to take account of the particular characteristics of an *offshore power station*.

7.22 Any generation connection design variation must not, other than in respect of the generation customer requesting the variation, either immediately or in the foreseeable future:

7.22.1 reduce the security of the *MITS* to below the minimum planning criteria specified in Section 4; or

7.22.2 result in additional investment or operational costs to any particular customer or overall, or a reduction in the security and quality of supply of the affected customers' connections to below the planning criteria in this section or Section 8, unless specific agreements are reached with affected customers; or

7.22.3 compromise any *transmission licensee's* ability to meet other statutory obligations or licence obligations.

7.23 Should system conditions subsequently change, for example due to the proposed connection of a new customer, such that either immediately or in the foreseeable future, the conditions set out in paragraphs 7.22.1 to 7.22.3 are no longer satisfied, then alternative arrangements and/or agreements must be put in place such that this Standard continues to be satisfied.

7.24 The additional operational costs referred to in paragraph 7.22.2 and/or any potential reliability implications shall be calculated by simulating the expected operation of the *national electricity transmission system* in accordance with the operational criteria set out in Section 5 and Section 9. Guidance on economic justification is given in Appendix E.

8. Demand Connection Criteria Applicable to an Offshore Transmission System

8.1 This section presents the planning criteria applicable to the connection of offshore power station demand groups to the remainder of the national electricity transmission system.

8.2 In those parts of an offshore transmission system where the criteria of Section 7 also apply, those criteria must also be met.

8.3 In planning demand connections, this Standard is met if the connection design either:

8.3.1 satisfies the deterministic criteria detailed in paragraphs 8.5 to 8.10; or

8.3.2 varies from the design necessary to meet paragraph 8.3.1 above in a manner which satisfies the conditions detailed in paragraphs 8.12 to 8.15.

8.4 It is permissible to design to standards higher than those set out in paragraphs 8.5 to 8.10 provided the higher standards can be economically justified. Guidance on economic justification is given in Appendix E.

Offshore Power Station Demand Connection Capacity Requirements

8.5 The connection of a particular offshore power station demand group shall meet the criteria set out in paragraphs 8.6 to 8.10 under the following background conditions:

8.5.1 when the power output of the offshore power station is set to zero and there are no planned outages, the demand of the offshore power station demand group shall be set equal to group demand; and

8.5.2 demand and generation outside the offshore power station demand group shall be set in accordance with the planned transfer conditions using the appropriate method described in Appendix C.

8.6 The transmission capacity for the connection of an offshore power station demand group shall be planned such that, for the background conditions described in paragraph 8.5, under intact system conditions there shall not be any of the following:

8.6.1 equipment loadings exceeding the pre-fault rating;

8.6.2 voltages outside the pre-fault planning voltage limits or insufficient voltage performance margins; or

8.6.3 system instability.

8.7 The transmission capacity for the connection of an offshore power station demand group shall also be planned such that for the background conditions described in paragraph 8.5 and for the planned outage of a single transmission circuit or a single section of busbar or mesh corner, there shall not be any of the following:

8.7.1 a loss of supply capacity for a group demand of greater than 1 MW;

8.7.2 unacceptable overloading of any primary transmission equipment;

8.7.3 voltages outside the pre-fault planning voltage limits or insufficient voltage performance margins; or

8.7.4 system instability.

8.8 The transmission capacity for the connection of an offshore power station demand group shall also be planned such that for the background conditions described in paragraph 8.5 and the initial conditions of

8.8.1 an intact system condition; or

8.8.2 the single planned outage of another transmission circuit or a generating unit, a reactive compensator or other reactive power provider,

for the secured event of a fault outage of

8.8.3 a single transmission circuit,

there shall not be any of the following:

8.8.4 a loss of supply capacity such that the provisions set out in Table 8.1 are not met;

8.8.5 unacceptable overloading of any primary transmission equipment;

8.8.6 unacceptable voltage conditions or insufficient voltage performance margins; or

8.8.7 system instability.

8.9 In addition to the requirements of paragraphs 8.6 to 8.8, for the background conditions described in paragraph 8.5, the system shall also be planned such that operational switching does not cause unacceptable voltage conditions.

8.10 For a secured event on connections to more than one offshore power station demand group, the permitted loss of supply capacity for that secured event is the maximum of the permitted loss of supply capacities set out in Table 8.1 for each of these offshore power station demand groups.

Table 8.1 Minimum planning supply capacity following *secured events*

<u>Group Demand</u>	<u>Initial system conditions</u>	
	<u>Intact system</u>	<u>With single <i>planned outage</i></u> Note 1
<u>over 1 MW to 12 MW</u>	<u>Within 3 hours</u> <u>Group Demand minus 1 MW</u> <u>In repair time</u> <u>Group Demand</u>	<u>Nil</u>
<u>up to 1 MW</u>	<u>In repair time</u> <u>Group Demand</u>	<u>Nil</u>

Notes

1. The *planned outage* may be of a *transmission circuit, generating unit, reactive compensator or other reactive power provider.*

Switching Arrangements

8.11 Guidance on substation configurations and switching arrangements are described in Appendix A. These guidelines provide an acceptable way towards meeting the criteria of this chapter. However, other configurations and switching arrangements which meet the criteria are also acceptable.

Variations to Connection Designs

8.12 Variations, arising from a *generator's* request, to the demand connection design necessary to meet the requirements of paragraphs 8.5 to 8.10 shall also satisfy the requirements of this Standard provided that the varied design satisfies the conditions set out in paragraphs 8.13.1 to 8.13.3. For example, such a demand connection design variation may be used to limit overall costs.

8.13 Any demand connection design variation must not, other than in respect of the *generator* requesting the variation, either immediately or in the foreseeable future:

8.13.1 reduce the security of the *MITS* to below the minimum planning criteria specified in Section 4; or

8.13.2 result in additional investment or operational costs to any particular customer or overall, or a reduction in the security and quality of supply of the affected customers' connections to below the planning criteria in this section or Section 7, unless specific agreements are reached with affected customers; or

8.13.3 compromise any *transmission licensee's* ability to meet other statutory obligations or licence obligations.

8.14 Should system conditions change, for example due to the proposed connection of a new customer, such that either immediately or in the foreseeable

future, the conditions set out in paragraphs 8.13.1 to 8.13.3 are no longer satisfied, then alternative arrangements and/or agreements must be put in place such that this Standard continues to be satisfied.

8.15 The additional operational costs referred to in paragraph 8.13.2 and/or any potential reliability implications shall be calculated by simulating the expected operation of the *national electricity transmission system* in accordance with the operational criteria set out in Section 5 and Section 9. Guidance on economic justification is given in Appendix E.

9. Operation of an Offshore Transmission System

Normal Operational Criteria

9.1 An offshore transmission system shall be operated under prevailing system conditions so that for the secured event on the offshore transmission system of a fault outage of any of the following:

9.1.1 a single transmission circuit, a reactive compensator or other reactive power provider; or

9.1.2 the most onerous loss of power infeed; or

9.1.3 a section of busbar or mesh corner, or

9.1.4 a double circuit overhead line

there shall not be any of the following:

9.1.5 a loss of supply capacity except as specified in Table 9.1;

9.1.6 unacceptable frequency conditions;

9.1.7 unacceptable overloading of any primary transmission equipment;

9.1.8 unacceptable voltage conditions; or

9.1.9 system instability.

Table 9.1 Maximum permitted loss of supply capacity following secured events

<u>Group Demand</u>	<u>Initial system conditions</u>	
	<u>Prevailing system conditions with no local system outage</u>	<u>Prevailing system conditions with a local system outage</u>
<u>over 1 MW to 12 MW</u>	<u>Whole group up to Group Demand for up to the operational specified time to restore supply capacity</u>	<u>Whole group up to Group Demand</u>
<u>up to 1 MW</u>	<u>Whole group up to Group Demand for up to the operational specified time to restore supply capacity</u>	<u>Whole group up to Group Demand</u>

Notes

1. The time to restore any lost supply capacity shall be as short as practicable. If any part of any lost supply capacity can be restored in less than the specified maximum time to restore all of it, it shall be restored.

Post-fault Restoration of System Security

9.2 Following the occurrence of a secured event, measures shall be taken to re-secure an offshore transmission system to the above operational criteria as soon as reasonably practicable. To this end, it is permissible to put operational measures in place pre-fault to facilitate the speedy restoration of system security.

Authorised Variations from the Operational Criteria

9.3 Exceptions to the criteria in paragraphs 9.1 and 9.2 may be required where variations to the connection designs as per paragraphs 7.21 to 7.24 and paragraphs 8.12 to 8.15 have been agreed.

9.4 The principles of these operational criteria shall be applied at all times except in special circumstances where *NGC*, following consultation with the appropriate *Generator*, may need to give instructions to the contrary to preserve overall system integrity.

10. Voltage Limits in Planning and Operating an Offshore Transmission System

Voltage Limits

10.1 The pre-fault planning voltage limits and steady state voltage limits on an offshore transmission system are as shown in Table 10.1.

Table 10.1 Pre-fault planning voltage limits and steady state voltage limits in both planning and operational timescales

<u>Nominal voltage</u>	<u>Minimum</u>	<u>Maximum</u>
<u>400kV</u>	<u>- 10%</u>	<u>+ 5%</u>
<u>Note 1</u>		
<u>Less than 400kV down to 132kV inclusive</u>	<u>- 10%</u>	<u>+ 10%</u>
<u>Less than 132kV</u>	<u>- 6%</u>	<u>+ 6%</u>

Note 1: For 400kV, the maximum limit is aligned with the equivalent onshore limit pending review in the light of technological developments.

10.2 A voltage condition on an offshore transmission system is unacceptable in both planning and operational timescales if, after either

10.2.1 a secured event, or

10.2.2 operational switching,

and the affected site remains directly connected to the national electricity transmission system in the steady state after the relevant event above, the following condition applies:

10.2.3 there is any inability following such an event to achieve a steady state voltage as specified in Table 10.1 at offshore transmission system substations or OSPs using manual and/or automatic facilities available, including the switching in or out of relevant equipment.

10.3 In planning timescales, the steady state voltages are to be achieved without widespread post-fault generation transformer re-tapping or post-fault adjustment of SVC set points to increase the reactive power output or to avoid exceeding the available reactive capability of generation or SVCs.

11. Terms and Definitions

ACS Peak Demand	The estimated winter peak demand (MW and MVar) on the national electricity GB transmission system for the <i>average cold spell (ACS)</i> condition. This includes both transmission and distribution losses and represents the demand to be met by <i>large power stations</i> (directly connected or embedded), <i>medium power stations</i> and <i>small power stations</i> which are directly connected to the national electricity GB transmission system and by electricity imported into the onshore GB transmission system from <i>external systems</i> across <i>external interconnections</i> .
Adverse Conditions	For the purpose of this Standard, those conditions that significantly increase the likelihood of an overhead line fault, e.g. high winds, lightning, very high or very low ambient temperatures, high precipitation levels, high insulator or atmospheric pollution, flooding.
Ancillary Services	This means: (a) such services as any authorised electricity operator may be required to have available as Ancillary Services pursuant to the GB-Grid Code ; and (b) such services as any authorised electricity operator or person making transfers on <i>external interconnections</i> may have agreed to have available as being <i>ancillary services</i> pursuant to agreement made with <i>NGC</i> and which may be offered for purchase by <i>NGC</i> .
Annual Load Factor	The ratio of the actual energy output of a <i>generating unit</i> , CCGT module or <i>power station</i> (as the case may be) to the maximum possible energy output of that <i>generating unit</i> , CCGT module or <i>power station</i> (as the case may be) over a year. It is often expressed in percentage terms.
Authority	This means the Gas and Electricity Markets Authority established by section 1(1) of the Utilities Act 2000.
Average Cold Spell (ACS)	A particular combination of weather elements which give rise to a level of peak demand within a financial year (1 April to 31 March) which has a 50% chance of being exceeded as a result of weather variation alone.
Balancing Mechanism	This is the mechanism for the making and acceptance of offers and bids pursuant to the arrangements contained in the Balancing and Settlement Code (BSC)

Balancing Services	<p>This means:</p> <p>(a) <i>Ancillary Services</i>;</p> <p>(b) Offers and bids in the <i>Balancing Mechanism</i>; and</p> <p>(c) Other services available to <i>NGC</i>, which serve to assist the <i>NGC</i> in operating the national electricity GB transmission system in accordance with the Electricity Act 1989 (Act) or the Conditions of the Transmission Licence granted under Section 6(1) (b) of the Act and/or in doing so efficiently and economically.</p>
Busbar	<p>The common connection point of two or more <i>transmission circuits</i>.</p>
Corrective Action	<p>Manual and automatic action taken after an outage or switching action to assist recovery of satisfactory system conditions; for example, tapchanging or switching of plant.</p>
Credible demand sensitivities	<p>Such variations in demands above those forecast as are appropriate to the locations and the forecast error for the number of years ahead for which the forecast has been produced, e.g. that which corresponds to an 80% demand forecast confidence level.</p>
Cyclic rating	<p>The load carrying capability of an item of equipment in excess of its nominal rating which can be achieved given the expected daily load cycle of the equipment. Such additional capability will normally arise as a result of the thermal inertia of the equipment.</p>
DC Converter	<p>Any apparatus used as part of the national electricity GB Transmission System to convert alternating current electricity to direct current electricity, or vice-versa. A DC Converter is a standalone operative configuration at a single site comprising one or more converter bridges, together with one or more converter transformers, converter control equipment, essential protective and switching devices and auxiliaries, if any, used for conversion. In a bipolar arrangement, a DC Converter represents the bipolar configuration.</p>
Demand group	<p>A site or group of sites which collectively take power from the remainder of the GB-onshore transmission system.</p>

Demand Point of Connection	For the purpose of defining the boundaries between the MITS and Grid Supply Point transformer circuits, the Demand Point of Connection is taken to be the Busbar clamp in the case of an air insulated substation, gas zone separator in the case of a gas insulated substation, or other equivalent point as may be determined by <u>the relevant GB transmission licensees</u> for new types of substation.
Distribution Licensee	<u>Means the holder of a Distribution Licence in respect of an onshore distribution system granted under Section 6 (1) (c) of the Electricity Act 1989 (as amended under the Utilities Act 2000 and the Energy Act 2004).</u>
Double Circuit Overhead Line	<p><u>In the case of the <i>onshore transmission system</i>, this is a transmission line which consists of two circuits sharing the same towers for at least one span in the SHETL or England and Wales areas or for at least 2 miles in the SPT area.</u></p> <p><u>In the case of an <i>offshore transmission system</i>, this is a transmission line which consists of two circuits sharing the same towers for at least one span.</u></p>
External Interconnection	Apparatus for the transmission of electricity to or from the <u>GB onshore transmission system</u> into or out of an <i>external system</i> .
External Systems	A transmission or distribution system located outside <u>GBthe <i>national electricity transmission system operator area</i></u> , which is electrically connected to the <u><i>onshore GB transmission system</i></u> by an <i>external interconnection</i>
Fault outage	An outage of one or more items of <i>primary transmission apparatus</i> and/or generation plant initiated by automatic action unplanned at that time, which may or may not involve the passage of fault current.

First Onshore Substation

The first onshore substation defines the onshore limit of an offshore transmission system. An offshore transmission system cannot extend beyond the first onshore substation.

Accordingly, the security criteria relating to an offshore transmission system extend from the offshore GEP up to the interface point or user system interface point (as the case may be), which is located at the first onshore substation.

The security criteria relating to the onshore transmission system extend from the interface point located at the first onshore substation and extend across the remainder of the onshore transmission system.

The security criteria relating to an onshore user system extend from the user system interface point located at the first onshore substation and extend across the remainder of the relevant user system.

The first onshore substation will comprise, inter alia, facilities for the connection between, or isolation of, transmission circuits and/or distribution circuits. These facilities will include at least one busbar to which the offshore transmission system connects and one or more circuit breakers and disconnectors. For the avoidance of doubt, if the substation does not include these elements, then it does not constitute the first onshore substation.

The first onshore substation may be owned by the offshore transmission owner, the onshore transmission owner or onshore user system owner as determined by the relevant transmission licensee and/or distribution licensees as the case may be.

Normally, in the case of there being transformation facilities at the first onshore substation and unless otherwise agreed, if the offshore transmission owner owns the first onshore substation, the interface point would be on the HV busbars and, if the first onshore substation is owned by the onshore transmission owner or onshore user system owner, the interface point or user system interface point (as the case may be) would be on the LV busbars.

Forecast Minimum Demand

This is the minimum demand level expected at a GSP or OSP or a group of GSPs or group of OSPs. Unless more specific data are available, this is the expected demand at the time of the annual minimum GB demand on the national electricity GB-transmission system as provided under the Grid Code. In the case of a group of GSPs or group of OSPs, the demand diversity within the group should be taken into account.

Generating Plant Type	A type of <i>generating unit</i> classified by the type of prime move, e.g. thermal hydro.
Generating Units	<u>An onshore generating unit or an offshore generating unit.</u> Any apparatus which produces electricity including, for the avoidance of doubt, a CCGT unit.
Generation Circuit	The sole electrical connection between one or more <u>onshore generating units</u> and the <i>Main Interconnected Transmission System</i> i.e. a radial circuit which if removed would disconnect the <u>onshore generating units</u> .
Generation Point of Connection	For the purpose of defining the boundaries between the <i>MITS</i> and <i>generation circuits</i> , the <i>generation point of connection</i> is taken to be the <i>busbar</i> clamp in the case of an air insulated substation, gas zone separator in the case of a gas insulated substation, or other equivalent point as may be determined by the <u>GB-relevant transmission licensees</u> for new types of substation
Generator	A person who generates electricity under licence or exemption under the Electricity Act 1989.
<u>Great Britain (GB)</u>	<u>The landmass of England and Wales and Scotland, including internal waters.</u>
Grid Entry Point (GEP)	A point at which a <i>generating unit</i> or a CCGT module <u>or an offshore power park module</u> , as the case may be, which is directly connected to the <u>national electricity GB-transmission system</u> , connects to the <u>national electricity GB-transmission system</u> . <u>The default point of connection is taken to be the busbar clamp in the case of an air insulated substation, gas zone separator in the case of a gas insulated substation, or equivalent point as may be determined by the relevant transmission licensees for new types of substation.</u>
Grid Supply Point (GSP)	A point of supply from the <u>GB-onshore transmission system</u> to <i>network operators</i> or <i>non-embedded customers</i> .

Group Demand	<p>For a single <u>GSP or OSP</u>: The forecast maximum demand for the <u>GSP or OSP</u> provided in accordance with the requirements of the Grid Code by the <i>network operators</i> or <i>non-embedded customers</i> taking demand from the <u>national electricity GB-transmission system</u>. For multiple <u>GSPs or OSPs</u>: The sum of the forecast maximum demands for the <u>GSPs or OSPs</u> as provided by the <i>network operators</i> or <i>non-embedded customers</i> taking demand from the <u>national electricity GB-transmission system</u>.</p>
Infrequent Infeed Loss Risk	<p>That level of <i>loss of power infeed</i> risk which is covered over long periods operationally by frequency response to avoid a deviation of system frequency outside the range 49.5Hz to 50.5Hz for more than 60 seconds. Until reviewed this is 1320MW.</p>
Insufficient Voltage Performance Margins	<p>In all timescales and in particular the post-fault periods (i.e. before, during and after the automatic controls take place), there are <i>insufficient voltage performance margins</i> when the following occurs:</p> <ul style="list-style-type: none"> i) voltage collapse; ii) over-sensitivity of system voltage; or iii) unavoidable exceedance of the reactive capability of <i>generating units</i> such that accessible reactive reserves are exhausted; <p>under any of the following conditions:</p> <ul style="list-style-type: none"> i) <i>credible demand sensitivities</i>; ii) the unavailability of any single reactive compensator or other reactive power provider; or iii) the loss of any one automatic switching system or any automatic voltage control system for on-load tap changing.
Intact System	<p>This is the <u>national electricity GB-transmission system</u> with no system outages i.e. with no <i>planned outages</i> (e.g. for maintenance) and no <i>unplanned outages</i> (e.g. subsequent to a fault).</p>
Interconnection Allowance	<p>An allowance in MW to be added in whole or in part to transfers arising out of the <i>planned transfer condition</i> to take some account of non-average conditions (e.g. <i>power station</i> availability, weather and demand). This allowance is calculated by an empirical method described in Appendix D of this Standard.</p>

Interface Point (IP)

A point at which an offshore transmission system, which is directly connected to an onshore transmission system, connects to the onshore transmission system. The Interface Point is located at the first onshore substation which the offshore transmission circuits reach onshore. The default point of connection, within the first onshore substation, is taken to be the busbar clamp in the case of an air insulated substation, gas zone separator in the case of a gas insulated substation, on either the lower voltage (LV) busbars or the higher voltage (HV) busbars as may be determined by the relevant transmission licensees. Normally, and unless otherwise agreed, if the offshore transmission owner owns the first onshore substation, the interface point would be on the HV busbars and, if the first onshore substation is owned by the onshore transmission owner, the interface point would be on the LV busbars.

Large Power Station

This means:

1. In the England and Wales area, a *power station* with a *registered capacity* of 100MW or more;
2. In the SPT area, a *power station* with a *registered capacity* of 30MW or more; or
3. In the SHETL area, a *power station* with a *registered capacity* of 5MW or more-;
4. In offshore waters, a power station connected to an offshore transmission system with a registered capacity of 10MW or more.

Local System Outage

In the context of a *demand group or offshore power station demand group*, a *planned outage* or *unplanned outage* local to a *demand group or offshore power station demand group, as the case may be*, such that it has a direct effect on the supply capacity to that *demand group or offshore power station demand group*. In the context of planning generation connections, a *planned outage* local to a *power station* such that it has a direct effect on the generation connection capacity requirements for that *power station*

Loss of Power Infeed

The output of a *generating unit* or a group of *generating units* or the import from *external systems* disconnected from the system by a *secured event*, less the demand disconnected from the system by the same *secured event*. For the avoidance of doubt if, following such a *secured event*, demand associated with the normal operation of the affected *generating unit* or *generating units* is automatically transferred to a supply point which is not disconnected from the system, e.g. the station board, then this shall not be deducted from the total *loss of power infeed* to the system. For the purpose of the operational criteria, the *loss of power infeed*, includes the output of a single *generating unit*, CCGT Module, boiler, nuclear reactor or DC Link bi-pole lost as a result of an event.

Loss of Supply Capacity

This is the reduction in the supply capacity at a *Grid Supply Point* or offshore supply point as a result of the *transmission licensees' failure* to maintain the potential to provide the supply capacity in full. For the avoidance of doubt, where the *transmission licensees* do maintain the potential to provide a supply but, following an outage, demand is lost because of circuit configurations not under the control of the *transmission licensees*, that lost supply does not constitute *loss of supply capacity*.

Main Interconnected Transmission System (MITS)

This comprises all the 400kV and 275kV elements of the onshore GB-transmission system and, in Scotland, the 132kV elements of the onshore GB-transmission system operated in parallel with the *supergrid*, and any elements of an offshore transmission system operated in parallel with the supergrid, but excludes *generation circuits*, transformer connections to lower voltage systems, and external interconnections between the onshore GB-transmission system and external systems, and any offshore transmission systems radially connected to the onshore transmission system via single interface points.

Maintenance Period Demand

This is the demand level experienced at a *GSP* and is the maximum demand level expected during the normal maintenance period. This level is such that the period in which maintenance could be undertaken is not unduly limited. Unless better data are available this should be 67% of the *group demand*.

Major System Fault

An event or sequence of events so fast that it is not practically possible to re-secure the system between each one, more onerous than those included in the normal set of *secured events*.

Major System Risk	A period of <i>major system risk</i> is one in which <i>secured events</i> are judged to be significantly more likely than under the circumstances addressed by the normal criteria of this Standard, or they are judged to have a significantly greater impact than normal, or events not normally secured against are judged to be significantly more likely than normal such that measures should be taken to mitigate their impact.
Marshalling Substation	A substation which connects circuits from more than two line routes.
Medium Power Station	This means: <ol style="list-style-type: none"> 1. In the England and Wales area, a <i>power station</i> with a <i>registered capacity</i> of 50MW or more, but less than 100MW; or 2. In the SPT area, a <i>power station</i> with a <i>registered capacity</i> of 5MW or more, but less than 30MW. 3. For the purpose of this Standard, in the SHETL area, a <i>power station</i> with a registered capacity of less than 5 MW.
<u>National Electricity Transmission System</u>	<u>The national electricity transmission system comprises the onshore transmission system and the offshore transmission systems.</u>
<u>National Electricity Transmission System Operator Area</u>	<u>Has the meaning set out in Schedule 1 of NGC's Transmission Licence</u>
Network Operator	A person with a system directly connected to the <u>onshore GB transmission system</u> to which customers and/or <i>power stations</i> (not forming part of that system) are connected, acting in its capacity as an operator of that system, but shall not include a person who operates an <i>external system</i> .
NGC	National Grid Company plc (No. 2366977) whose registered office is 1-3 Strand, London WC2N 5EH
Non-embedded Customer	A customer, except for a <i>Network Operator</i> acting in its capacity as such, receiving electricity direct from the <u>national electricity GB transmission system</u> irrespective of from whom it is supplied.

Normal Infeed Loss Risk

That level of *loss of power infeed* risk which is covered over long periods operationally by frequency response to avoid a deviation of system frequency by more than 0.5Hz. Until reviewed this is 1000MW.

Offshore Generating Unit

Any apparatus, which produces electricity including, a synchronous offshore generating unit and non-synchronous offshore generating unit and which is located in offshore waters.

Offshore Grid Entry Point Capacity (OffGEP Capacity)

The cumulative registered capacity of all offshore power stations connected at a single offshore grid entry point and/or the cumulative registered capacity of all offshore power stations connected to all the offshore grid entry points of an offshore transmission system

Offshore Platform

A platform, located in offshore waters, which contains plant and apparatus associated with the generation and/or transmission of electricity including high voltage electrical circuits which form part of an offshore transmission system and which may include one or more offshore grid entry points.

Offshore Power Park Module

A collection of offshore power park strings, located in offshore waters, registered as an offshore power park module under the provisions of the Grid Code. There is no limit to the number of offshore power park strings within the offshore power park module, provided that they are connected to the same busbar which cannot be electrically split.

Offshore Power Park String

A collection of non-synchronous offshore generating units, located in offshore waters, that are powered by an intermittent power source, joined together by cables with a single point of connection to an offshore transmission system.

Offshore Power Station

An installation, located in offshore waters, comprising one or more offshore generating units or offshore power park modules or offshore gas turbines (even where sited separately) owned and/or controlled by the same generator, which may reasonably be considered as being managed as one offshore power station.

Offshore Power Station Demand Group

An offshore site or group of offshore sites located on an offshore platform/s which collectively take power from the remainder of an offshore transmission system for the purpose of supplying offshore power station demand.

<u>Offshore Supply Point (OSP)</u>	<u>A point of supply from an offshore transmission system to an offshore power station.</u>
<u>Offshore Transmission Circuit</u>	<u>Part of an offshore transmission system between two or more circuit-breakers which includes, for example, transformers, reactors, cables, overhead lines and DC converters but excludes busbars and onshore transmission circuits.</u>
<u>Offshore Transmission Licensee</u>	<u>Means the holder of a Transmission Licence in respect of an offshore transmission system granted under Section 6 (1) (b) of the Electricity Act 1989 (as amended by the Utilities Act 2000 and the Energy Act 2004)</u>
<u>Offshore Transmission System</u>	<u>A system consisting (wholly or mainly) of high voltage lines of 132kV or greater owned and/or operated by an offshore transmission licensee and used for the transmission of electricity to or from an offshore power station to or from an interface point, or user system interface point if embedded, or to or from another offshore power station and includes equipment, plant and apparatus and meters owned or operated by an offshore transmission licensee in connection with the transmission of electricity. An offshore transmission system extends from the interface point or user system interface point, as the case may be, to the offshore grid entry point/s and may include plant and apparatus located onshore and offshore. For the avoidance of doubt, the offshore transmission systems, together with the onshore transmission system, form the national electricity transmission system.</u>
<u>Offshore Waters</u>	<u>Has the meaning given to "offshore waters" in Section 90(9) of the Energy Act 2004.</u>
<u>Onshore Generating Unit</u>	<u>Any apparatus which produces electricity including a synchronous generating unit and non-synchronous generating unit but excluding an offshore generating unit.</u>
<u>Onshore Power Station</u>	<u>An installation comprising one or more onshore generating units (even where sited separately) owned and/or controlled by the same generator, which may reasonably be considered as being managed as one onshore power station.</u>

Onshore Transmission Circuit

Part of the *onshore transmission system* between two or more circuit-breakers which includes, for example, transformers, reactors, cables and overhead lines but excludes *busbars, generation circuits* and *offshore transmission circuits*.

Onshore Transmission Licensee

NGC, SPT and SHETL

Onshore Transmission System

The system consisting (wholly or mainly) of high voltage electric lines owned or operated by *onshore transmission licensees* and used for the transmission of electricity from one *power station* to a substation or to another *power station* or between substations or to or from *offshore transmission systems* or to or from any *external interconnections* and includes any plant and apparatus and meters owned or operated by *onshore transmission licensees* within Great Britain in connection with the transmission of electricity. The *onshore transmission system* does not include any *remote transmission assets*. For the avoidance of doubt, the *onshore transmission system*, together with the *offshore transmission systems* form the *national electricity transmission system*.

Operational Intertripping

The automatic tripping of circuit breakers to remove *generating units* and/or demand. It does not provide additional *transmission capacity* and must not lead to *unacceptable frequency conditions* for any *secured event*.

Planned Outage

An outage of one or more items of primary transmission apparatus and/or generation plant, initiated by manually instructed action which has been subject to the recognised *national electricity transmission system operator area* outage planning process.

Planned Transfer Conditions

The condition arising from scaling the *registered capacities* of each directly connected *power station* and embedded *large power station* such that the total of the scaled capacities is equal to the ACS *peak demand* minus imports from *external systems*. This scaling shall follow the techniques described in Appendix C .

Plant Margin	The amount by which the total installed capacity of directly connected <i>power stations</i> and embedded <i>large power stations</i> exceeds the net amount of the <i>ACS peak demand</i> minus the total imports from <i>external systems</i> . This is often expressed as a percentage (e.g. 20%) or as a decimal fraction (e.g. 0.2) of the net amount of the <i>ACS peak demand</i> minus the total imports from <i>external systems</i> .
<u>Power Park Module</u>	<u>An onshore power park module and/or an offshore power park module</u>
Power Station	An installation comprising one or more generating units (even where sited separately) owned and/or controlled by the same generator, which may reasonably be considered as being managed as one power station <u>Means an onshore power station or an offshore power station.</u>
Pre-Fault Planning Voltage Limits	The voltage limits for use in planning timescales for circumstances before a fault.
Pre-fault Rating	The specified pre-fault capability of transmission equipment. Due allowance shall be made for specific conditions (e.g. ambient/seasonal temperature), agreed time-dependent loading cycles of equipment and any additional relevant procedures.
Prevailing System Conditions	These are conditions on the <u>national electricity GB transmission system</u> prevailing at any given time and will therefore normally include <i>planned outages</i> and <i>unplanned outages</i> .
Primary Transmission Equipment	Any equipment installed on the <u>national electricity GB transmission system</u> to enable bulk transfer of power. This will include <i>transmission circuits</i> , <i>busbars</i> , and <i>switchgear</i> .

Registered Capacity

- a) In the case of a *generating unit* other than that forming part of a CCGT module or *power park module*, the normal full load capacity of a *generating unit* as declared by the *generator*, less the MW consumed by the *generating unit* through the *generating unit's* unit transformer when producing the same (the resultant figure being expressed in whole MW).
- b) In the case of a CCGT module or offshore gas turbine or *power park module*, the normal full load capacity of the CCGT module or offshore gas turbine or *power park module* (as the case may be) as declared by the *generator*, being the active power declared by the *generator* as being deliverable by the CCGT module or offshore gas turbine or *power park module* at the *GEP* (or in the case of a CCGT module or offshore gas turbine or *power park module* embedded in a *user system*, at the user system entry point), expressed in whole MW.
- c) In the case of a *power station*, the maximum amount of active power deliverable by the *power station* at the *GEP* (or in the case of a *power station* embedded in a *user system*, at the user system entry point), as declared by the *generator*, expressed in whole MW. The maximum active power deliverable is the maximum amount deliverable simultaneously by the *generating units* and/or CCGT modules and/or offshore gas turbines and/or *power park modules* less the MW consumed by the *generating units* and/or CCGT modules and/or offshore gas turbines and/or *power park modules* in producing that active power.

~~In the case of a *generating unit* other than that forming part of a CCGT module or, the normal full load capacity of a *generating unit* as declared by the *generator*, less the MW consumed by the *generating unit* through the *generating unit's* unit transformer when producing the same (the resultant figure being expressed in whole MW). In the case of a CCGT Module, the normal full load capacity of a CCGT Module being the active power declared by the *generator* as being deliverable by the CCGT Module or at the *GEP* (or in the case of an embedded CCGT Module, at the distribution system entry point), expressed in whole MW. In the case of a *power station*, the maximum amount of active power deliverable by the *power station* at the *GEP* (or in the case of an embedded *power station* at the distribution system entry point), expressed in whole MW.~~

Secured event	A contingency which would be considered for the purposes of assessing system security and which must not result in the remaining national electricity GB transmission system being in breach of the security criteria. <i>Secured events</i> are individually specified throughout the text of this Standard. It is recognised that more onerous unsecured events may occur and additional operational measures within the requirements of the Grid Code may be utilised to maintain overall national electricity GB transmission system integrity.
SHETL	Scottish Hydro-Electric Transmission Limited (No. SC213461) whose registered office is situated at Inveralmond HS, 200 Dunkeld Road, Perth, Perthshire PH1 3AQ.
Small Power Station	This means: <ol style="list-style-type: none"> 1. In the England and Wales area, a <i>power station</i> with a <i>registered capacity</i> of less than 50MW; or 2. In the SPT and SHETL areas, a <i>power station</i> with a <i>registered capacity</i> of less than 5 MW; 3. In offshore waters, a power station connected to an offshore transmission system with a registered capacity of less than 10MW.
SPT	SP Transmission Limited (No. SC189126) whose registered office is situated at 1 Atlantic Quay, Robertson Street, Glasgow G2 8SP.
Steady State	A condition of a power system in which all automatic and manual <i>corrective actions</i> have taken place and all of the operating quantities that characterise it can be considered constant for the purpose of analysis.
Supergrid	That part of the national electricity GB transmission system operated at a nominal voltage of 275kV and above.

System Instability

i) poor damping - where electromechanical oscillations of *generating units* are such that the resultant peak deviations in machine rotor angle and/or speed at the end of a 20 second period remain in excess of 15% of the peak deviations at the outset (i.e. the time constant of the slowest mode of oscillation exceeds 12 seconds); or

ii) pole slipping - where one or more transmission connected synchronous *generating units* lose synchronism with the remainder of the system to which it is connected

For the purpose of assessing the existence of *system instability*, a *fault outage* is taken to include a solid three phase to earth fault (or faults) anywhere on the ~~transmission system~~[national electricity transmission system](#) with an appropriate clearance time.

The appropriate clearance time is identified as follows:

i) in the England and Wales area and on other circuits identified by agreement between ~~NGC, SPT and SHETL~~ [the relevant transmission licensees](#), clearance times consistent with the fault location together with the worst single failure in the main protection system should be used;

ii) elsewhere, clearance times should be consistent with the fault location and appropriate to the actual protection, signalling equipment, trip and interposing relays, and circuit breakers involved in clearing the fault.

Transfer Capacity

That circuit capacity from adjacent *demand groups* which can be made available within the times stated in Table 3.1

Transient Time Phase

The time within which fault clearance or initial system switching, the transient decay and recovery, auto switching schemes, generator inter-tripping, and fast, automatic responses of controls such as generator AVR and SVC take place. Load response may be assumed to have taken place. Typically 0 to 5 seconds after an initiating event.

Transmission Capacity

The ability of a network to transmit electricity. It does not include the use of *operational intertripping* except in respect of paragraph 2.13 in Section 2, paragraph 4.10 in Section 4 [and paragraphs 7.7. to 7.13 & 7.16 in Section 7.](#)

Transmission Circuit	<u>This is either an onshore transmission circuit or an offshore transmission circuit. Part of the GB transmission system between two or more circuit-breakers which includes, for example, transformers, reactors, cables and overhead lines but excludes busbars and generation circuits</u>
<u>Transmission Licensee</u>	<u>Means an onshore transmission licensee or an offshore transmission licensee</u>
Unacceptable Frequency Conditions	<p>These are conditions where:</p> <p>i) the <i>steady state</i> frequency falls outside the statutory limits of 49.5Hz to 50.5Hz; or</p> <p>ii) a transient frequency deviation on the <i>MITS</i> persists outside the above statutory limits and does not recover to within 49.5Hz to 50.5Hz within 60 seconds.</p> <p>Transient frequency deviations outside the limits of 49.5Hz and 50.5Hz shall only occur at intervals which ought reasonably be considered as infrequent. It is not possible to be prescriptive with regard to the type of <i>secured event</i> which could lead to transient deviations since this will depend on the extant frequency response characteristics of the system which <i>NGC</i> shall adjust from time to time to meet the security and quality requirements of this Standard.</p>
Unacceptable Overloading	The overloading of any <i>primary transmission equipment</i> beyond its specified time-related capability. Due allowance shall be made for specific conditions (e.g. ambient/seasonal temperature), pre-fault loading, agreed time-dependent loading cycles of equipment and any additional relevant procedures.
Unacceptable Voltage Conditions	Voltages out with those specified in section 6, Voltage Limits in Planning and Operating the <u>Transmission System onshore transmission system and/or outside the limits specified in Section 10, Voltage Limits in Planning and Operating the Offshore Transmission System</u> .
Unplanned Outage	An outage of one or more items of <i>primary transmission apparatus</i> and/or generation plant, initiated by manually instructed action which has not been subject to the recognised <u>GB-national electricity transmission system operator area</u> outage planning process.

User System

Any system owned or operated by a user of the national electricity GB-transmission system other than a transmission licensee comprising:

- a) generating units; and/or
- b) systems consisting wholly or mainly of electric circuits used for the distribution of electricity from grid supply points or offshore supply points or generating units or other entry points to the point of delivery to customers or other users.

and plant and/or apparatus connecting:

- c) the system described above; or
- d) non-embedded customers' equipment;

to the national electricity GB-transmission system or to the relevant other user system, as the case may be.

The user system includes any remote transmission assets operated by such user or other person and any plant and/or apparatus and meters owned or operated by the user or other person in connection with the distribution of electricity but do not include any part of the national electricity GB-transmission system.

User System Interface Point (USIP)

A point at which an offshore transmission system, which is directly connected to a user system, connects to the user system. The user system interface point is located at the first onshore substation which the offshore transmission circuits reach onshore. The default point of connection, within the first onshore substation, is taken to be the busbar clamp in the case of an air insulated substation, gas zone separator in the case of a gas insulated substation, or equivalent point on either the lower voltage (LV) busbars or the higher voltage (HV) busbars as may be determined by the relevant transmission licensee and distribution licensee. Normally, and unless otherwise agreed, if the offshore transmission owner owns the first onshore substation, the user system interface point would be on the HV busbars and if the first onshore substation is owned by the onshore distribution owner, the user system interface point would be on the LV busbars.

Voltage collapse

Where progressive, fast or slow voltage decrease or increase develops such that it can lead to either tripping of generating units and/or loss of demand.

Voltage Step Change

The difference in voltage between that immediately before a *secured event* or operational switching and that at the end of the *transient time phase* after the event.

Appendix A Recommended Substation Configuration and Switching Arrangements

Part 1 – Onshore Transmission System

A.1 The recommendations set out in paragraphs A.2 to A.6 apply to the onshore transmission system

A.2 The key factors which must be considered when planning the onshore transmission system substation include:

- A.2.1 Security and Quality of Supply - Relevant criteria are presented in Sections 2, 3 and 4.
- A.2.2 Extendibility - The design should allow for the forecast need for future extensions.
- A.2.3 Maintainability - The design must take account of the practicalities of maintaining the substation and associated circuits.
- A.2.4 Operational Flexibility - The physical layout of individual circuits and groups of circuits must permit the required power flow control.
- A.2.5 Protection Arrangements - The design must allow for adequate protection of each system element.
- A.2.6 Short Circuit Limitations - In order to contain short circuit currents to acceptable levels, *busbar* arrangements with sectioning facilities may be required to allow the system to be split or re-connected through a fault current limiting reactor.
- A.2.7 Land Area - The low availability and/or high cost of land particularly in densely populated areas may place a restriction on the size and consequent layout of the substation.
- A.2.8 Cost

A.3 Accordingly the design of a substation is a function of prevailing circumstances and future requirements as perceived in the planning time phase. This appendix is intended as a functional guidance for substation layout design and switchgear arrangements. Variations away from this guidance are permissible provided that such variations comply with the requirements of the criteria set out in the main text of this Standard.

Generation Point of Connection Substations

A.4 In accordance with the planning criteria for generation connection set out in Section 2, *generation point of connection* substations should:

- A.4.1 have a double *busbar* design (i.e. with main and reserve *busbars* such that *generation circuits* and onshore transmission circuits may be selected to either);

[A.4.2](#) have sufficient *busbar* sections to permit the requirements of paragraph 2.6 to be met without splitting the substation during maintenance of *busbar* sections;

[A.4.3](#) have sufficient *busbar* coupler and/or *busbar* section circuit breakers so that each section of the main and reserve *busbar* may be energised using either a *busbar* coupler or *busbar* section circuit breaker;

[A.4.4](#) have *generation circuits* and [onshore](#) *transmission circuits* disposed between *busbar* sections such that the main *busbar* may be operated split for fault level control purposes; and

[A.4.5](#) have sufficient facilities to permit the transfer of *generation circuits* and [onshore](#) *transmission circuits* from one section of the main *busbar* to another.

Marshalling Substations

[A.5](#) Marshalling substations should:-

[A.5.1](#) have a double *busbar* design (i.e. with main and reserve *busbars* such that [onshore](#) *transmission circuits* may be selected to either);

[A.5.2](#) have sufficient *busbar* sections to permit the requirements of paragraphs 2.6, 4.6 and 4.9 to be met;

[A.5.3](#) have [onshore](#) *transmission circuits* disposed between *busbar* sections such that the main *busbar* may be operated split for fault level control purposes; and

[A.5.4](#) have sufficient facilities to permit the transfer of [onshore](#) *transmission circuits* from one section of *busbar* to another.

Grid Supply Point Substations

[A.6](#) In accordance with the planning criteria for demand connection set out in Section 3, *GSP* substations configurations range from a single transformer teed into an [onshore](#) *transmission circuit* to a four switched mesh substation or a double *busbar* substation. The choice and need for the extendability will depend on the circumstances as perceived in the planning time phase.

Part 2 – Offshore Transmission Systems

A.7 The recommendations set out in paragraphs A.7 to A.15 apply to offshore transmission systems

A.8 The key factors which must be considered when planning an offshore transmission system substation include:

A.8.1 Security and Quality of Supply - Relevant criteria are presented in Sections 7 and 8.

A.8.2 Maintainability - The design must take account of the practicalities of maintaining the substation and associated circuits.

A.8.3 Operational Flexibility - The physical layout of individual circuits and groups of circuits must permit the required power flow control.

A.8.4 Protection Arrangements - The design must allow for adequate protection of each system element.

A.8.5 Short Circuit Limitations - In order to contain short circuit currents to acceptable levels, busbar arrangements with sectioning facilities may be required to allow the system to be split or re-connected through a fault current limiting reactor.

A.8.6 Available Area –The high cost of the offshore platform may place a restriction on the size and consequent layout of the substation.

A.8.7 Cost.

A.9 Accordingly the design of a substation is a function of prevailing circumstances and future requirements as perceived in the planning time phase. This appendix is intended as a functional guidance for substation layout design and switchgear arrangements. Variations away from this guidance are permissible provided that such variations comply with the requirements of the criteria set out in the main text of this Standard.

Offshore Transmission System Substations

Offshore GEP Substations (on an Offshore Platform)

A.10 In accordance with the planning criteria for offshore generation connection set out in Section 7, the substation should:

A.10.1 have sufficient busbar sections to permit the requirements of paragraph 7.8 to be met without splitting the substation during maintenance of busbar sections; and

A.10.2 have sufficient busbar coupler and/or busbar section circuit breakers so that each busbar section may be energised using either a busbar coupler or busbar section circuit breaker.

IP and USIP Substations

A.11 The following recommendations apply equally to substations at the:

A.11.1 Onshore Interface Point (at the First Onshore Substation); and

A.11.2 Onshore User System Interface Point (at the First Onshore Substation)

A.12 In accordance with the planning criteria for offshore generation connection set out in Section 7, the substation should in the case of an offshore power park module and multiple gas turbine connections:

A.12.1 have a double busbar design (i.e. with main and reserve busbars such that offshore generation circuits owned by the generator and offshore transmission circuits may be selected to either);

A.12.2 have sufficient busbar sections to permit the requirements of paragraph 7.13 to be met without splitting the substation during maintenance of busbar sections;

A.12.3 have sufficient busbar coupler and/or busbar section circuit breakers so that each section of the main and reserve busbar may be energised using either a busbar coupler or busbar section circuit breaker; and

A.12.4 have sufficient facilities to permit the transfer of offshore generation circuits owned by the generator and offshore transmission circuits from one section of the main busbar to another.

A.13 In the case of a single gas turbine connection and in accordance with the planning criteria for offshore generation connection set out in Section 7, the substation should have a single busbar design;

Marshalling Substations

A.14 The following recommendations apply to offshore marshalling substations, which interconnect offshore transmission circuits from two or more offshore platforms, where offshore grid entry points are located, and the first onshore substation, where the interface point or user system interface point is located.

A.15 Marshalling Substations should:

A.15.1 have a double busbar design (i.e. with main and reserve busbars such that offshore transmission circuits may be selected to either);

A.15.2 have sufficient busbar sections to permit the requirements of Section 7 to be met;

A.15.3 have transmission circuits disposed between busbar sections such that the main busbar may be operated split for fault level control purposes; and

A.15.4 have sufficient facilities to permit the transfer of offshore transmission circuits from one section of busbar to another.

Offshore Supply Point Substations

A.16 Offshore supply point substations should be designed to meet the requirements of Section 8. The actual design will depend on the circumstances as perceived in the planning time phase.

Appendix B **Circuit Complexity on the Onshore Transmission System**

B.1 This appendix defines restrictions to be applied by the relevant *GB onshore transmission licensee* when *onshore transmission circuits* are designed, constructed or extended. These restrictions are intended to ensure that the time required to isolate and earth circuits in preparation for maintenance work is kept to a minimum and is not disproportionate to the time required to carry out maintenance work. The restrictions also limit the potential for human error.

B.2 This appendix is divided into two parts. The first defines those restrictions that apply to *transmission circuits* on the *supergrid* part of the *MITS*. The second gives guidance on those restrictions that may be applied to *transmission circuits* on that part of the *MITS* operated at a nominal voltage of 132kV.

Restrictions for *transmission circuits* on the *supergrid*

B.3 The three restrictions to be applied to *transmission circuits* on the *supergrid* part of the *MITS* are as follows.

B.3.1 The facilities, for the isolation and earthing of *transmission circuits* and Transmission Equipment, shall not be located at more than three individual sites;

B.3.2 The normal operational procedure, for the isolation and earthing of *transmission circuits* and Transmission Equipment, shall not require the operation of more than five circuit-breakers; and

B.3.3 No more than three transformers shall be connected together and controlled by the same circuit breaker.

B.4 A site, in this context, is defined as being where the points of isolation at one end of a *transmission circuit* are within the same substation such that only one authorised person is required, at the site, to enable the efficient and effective release and restoration of the circuit.

B.5 If the design of a substation is such that two circuit-breakers of the same voltage are used to control a circuit (e.g. in a mesh type of substation), for the purposes of the above restrictions the two circuit-breakers are to be considered as a single circuit breaker. This also applies where duplicate circuit-breakers control a circuit including those used for *busbar* selection.

B.6 Switch disconnectors that are not rated for fault breaking duty should not be included in the design of new *transmission circuits* and substations for the purpose of reducing complexity. Where the extension of an existing *transmission circuit* includes an existing switch disconnector and that switch disconnector is not rated for fault breaking duty, that switch disconnector can be considered for use in planned switching procedures only.

B.7 For the purposes of restriction in B.3.3 a transformer which includes two low voltage windings in its construction shall be considered as single transformer.

Guidance for *transmission circuits* operated at a nominal voltage of 132kV

B.8 The restrictions recommended below should be regarded as being in general the limits of good planning. The majority of 132 kV circuits do not reach this limit nor will they be expected to do so.

B.9 Any proposals which would result in these limits being exceeded should be fully explained and agreed with operational engineers.

B.10 Care must be observed in the application of these recommendations to "Active Circuits" to ensure that protective gear clearance times and discrimination are satisfactory and that the security of lower voltage connected generation is not unduly prejudiced.

Restriction A

B.11 The normal operating procedure or protective gear operation for making dead any 132 kV circuit shall not require the opening of more than seven circuit-breakers. These circuit-breakers shall not be located on more than four different sites.

B.11.1 The circuit-breakers to be counted include all those which connect the circuit to other parts of the system.

B.11.2 In a mesh or similar type substation, two circuit-breakers of the same voltage in the mesh controlling a circuit count as one circuit-breaker.

B.11.3 Where a circuit is controlled by two circuit-breakers which select between main and reserve busbars, these count as one circuit-breaker.

B.11.4 Switching isolators are not regarded as circuit-breakers for the purpose of this restriction.

Restriction B

B.12 Not more than three transformers shall be banked together on any one circuit at any one site.

B.12.1 A transformer with two lower voltage windings counts as one transformer.

Restriction C

B.13 No item of equipment shall have isolating facilities on more than four different sites.

B.13.1 Isolating facilities will normally be provided by means of circuit-breakers and their associated isolators.

B.13.2 Points of isolation on a circuit within an agreed reasonable walking distance to permit the efficient and effective use of one authorised person only at those points during the release and restoration of the circuit, shall be regarded as being on one site.

- B.13.3 Switching isolators having a “fault make, load break” capability shall be regarded as circuit-breakers for the purpose of this restriction.
- B.13.4 In special circumstances a plain-break normally-open isolator may be counted as an isolating facility for the equipment on either side of it. An example of this is an isolator in the route of a circuit bridging two *supergrid* zones which would be closed only for emergencies of greater severity than those covered by the security standards for 132 kV planning.

Appendix C Modelling of *Planned Transfer*

C.1 There are two techniques relevant to the determination of *planned transfer conditions*. For circumstances in which apparent future *plant margins* exceed 20%, the 'Ranking Order technique' should be applied. Where the apparent future *plant margin* is 20% or less, the 'Straight Scaling Technique' should be applied. These techniques are described below.

C.2 Imports from *external systems* (e.g. in France or Ireland) shall not be scaled under either of these two scaling techniques because they result from tranches of generation rather than single *power stations*.

Ranking Order Technique

C.3 In some circumstances apparent future *plant margins* may exceed 20%. This may arise where NGC has been notified of increases in future generation capacity but has not yet been formally notified of future reductions in generation capacity due to plant closures. The ranking order technique maintains the output of directly connected *power stations* and embedded *large power stations* considered more likely to operate at times of *ACS peak demand* at more realistic levels and treats those less likely to operate as non-contributory.

C.4 This is achieved by ranking all directly connected *power stations* and embedded *large power stations* in order of likelihood of operation at times of *ACS peak demand*. Those *power stations* considered least likely to operate at peak are progressively removed and treated as non-contributory until a *plant margin* of 20% or just below is achieved. The output of the remainder is then calculated using the same scaling method as used in the straight scaling technique described in paragraphs C.5 and C.6 below.

Straight Scaling Technique

C.5 In this technique, all directly connected *power stations* and embedded *large power stations* on the system at the time of the *ACS peak demand* are considered contributory and their output is calculated by applying a scaling factor to their *registered capacity* proportional to an availability representative of the generating plant type at the time of *ACS peak demand* such that their aggregate output is equal to the forecast *ACS peak demand* minus total imports from *external systems*.

C.6 Thus,

$$P_{T_i} = S \cdot A_{T_i} \cdot R_{T_i}$$

where

$$S = \frac{P_{\text{loss}} + \sum_j P_{l_j} - \sum_k P_{I_k}}{\sum_T \left(A_T \cdot \sum_i R_{T_i} \right)}$$

and

P_{T_i} = the output of the i th directly connected or *embedded large power station of generating plant type T*

A_T = an availability representative of *generating plant type T* at the time of *ACS peak demand*

R_{T_i} = the *registered capacity* of the i th directly connected or *embedded large power station of generating plant type T*

P_{loss} = total [national electricityGB](#) transmission system active power losses at time of *ACS peak demand*

P_{l_j} = the active power demand at the j th [national electricityGB](#) transmission system demand site at the time of *ACS peak demand*

P_{I_k} = the import from the k th *external system*

Appendix D Application of the *Interconnection Allowance*

D.1 This appendix outlines the techniques underlying the use of the *interconnection allowance* under paragraphs 4.4.2 and 4.4.3.

D.2 The modification of the *MITS planned transfer condition* power flow pattern to reflect an *interconnection allowance* shall apply to the [national electricityGB transmission system](#) divided into any two contiguous parts provided that

D.2.1 the smaller part contains more than 1500MW of demand at the time of the *ACS peak demand*; and

D.2.2 the boundary between the two parts lies on the boundary between the SHETL and SPT areas, or between the SPT area and the England and Wales area, or entirely within the England and Wales area.

D.3 The *interconnection allowance* is then applied by:-

D.3.1 summing the demand and the total active power generation output (including imports from *external systems*) under the *planned transfer condition* within the smaller of the two parts and expressing this sum as a percentage of twice the *ACS peak demand*;

D.3.2 using Figure D.1, traditionally known as the 'Circle Diagram', to determine the *interconnection allowance* (in MW) by taking the appropriate percentage of the *ACS peak demand*;

D.3.3 finding the total active power generation output and total demand in each part of the system when applying the *interconnection allowance* or half *interconnection allowance* (as appropriate) as described in paragraphs D.4 and D.5;

D.3.4 for the conditions described under paragraph 4.4.2, proportionally scaling all the generation and demand in both parts of the system, as described in paragraphs D.4 and D.5 below, such that the transfer between the two parts increases by: first, the full *interconnection allowance* when considering the single *fault outages* in 4.6.1; and second, half the *interconnection allowance* for all other *secured events* in paragraph 4.6;

D.3.5 for the conditions described under paragraph 4.4.3, proportionally scaling demand in both parts of the system and setting *generating units* with their outputs such that their totals are as described in paragraphs D.4 and D.5 below such that the transfer between the two parts increases by: first, the full *interconnection allowance* when considering the single *fault outages* in item 4.6.1; and second, half the *interconnection allowance* for all other *secured events* in paragraph 4.6.

D.4 Suppose that the two contiguous parts of the system in question are areas 1 and 2 and that area 1 exports to area 2. Let G_1 and G_2 be the total generation in areas 1 and 2 respectively and D_1 and D_2 be the total demand in areas 1 and 2 under the *planned transfer condition*. Let I be the transfer required in addition to that under the *planned transfer condition* (i.e. the value of I is equal to the *interconnection*

allowance or half the *interconnection allowance* as specified in paragraphs D.3.4 and D.3.5).

D.5 The additional transfer is proportionally divided between the generation and demand in the two areas as follows:

the total demands after application of the *interconnection allowance* or half *interconnection allowance* in areas 1 and 2 are

$$D'_1 = k_{d1}D_1$$
$$D'_2 = k_{d2}D_2$$

and the total amounts of generation in areas 1 and 2 are

$$G'_1 = k_{g1}G_1$$
$$G'_2 = k_{g2}G_2$$

where

$$k_{d1} = 1 - \frac{I}{D_1 + G_1}$$
$$k_{g1} = 1 + \frac{I}{D_1 + G_1}$$

and

$$k_{d2} = 1 + \frac{I}{D_2 + G_2}$$
$$k_{g2} = 1 - \frac{I}{D_2 + G_2}$$

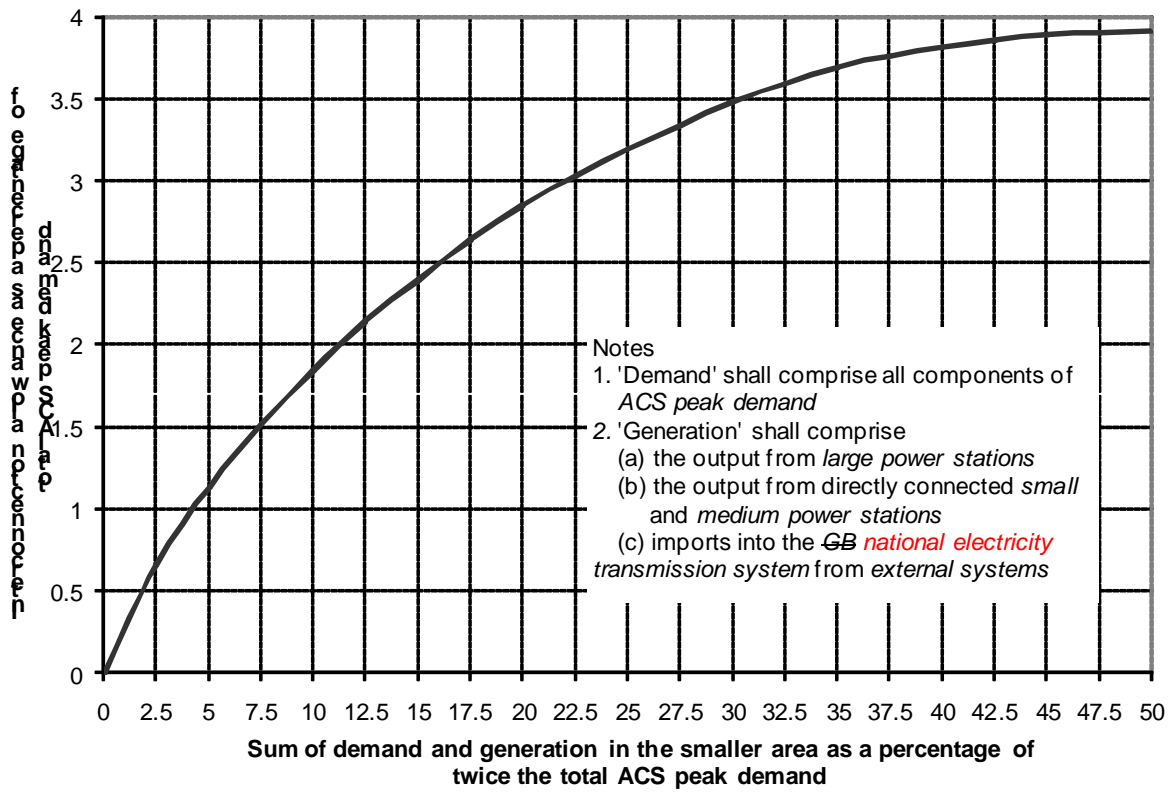


Figure D.1 *Interconnection allowance* as a function of area size (the 'circle diagram')

Appendix E Guidance on Economic Justification

- E.1 These guidelines may be used to assist in the:
- E.1.1 economic justification of investment in transmission equipment and/or purchase of services such as reactive power in addition to that required to meet the planning criteria of Sections 2, ~~3 or 4~~, [4, 7 or 8](#).
 - E.1.2 economic justification of the rearrangement of typical *planned outage* patterns and appropriate re-selection of *generating units*, for example through *balancing services*, from those expected to be available under the provisions of paragraph 2.13 in Section 2 ~~and~~, paragraph 4.10 in Section 4 [and 7.19 in Section 7](#); and
 - E.1.3 evaluation of any expected additional operational costs or investments resulting from a proposed variation in connection design under the provisions of paragraphs 2.15 to 2.18 and/or paragraphs 3.12 to 3.15 [and/or paragraphs 7.21 to 7.24](#).
- E.2 Guidelines:
- E.2.1 additional investment in transmission equipment and/or the purchase of services would normally be justified if the net present value of the additional investment and/or service cost are less than the net present value of the expected operational or unreliability cost that would otherwise arise.
 - E.2.2 the assessment of expected operational costs and the potential reliability implications shall normally require simulation of the expected operation of the [national electricityGB transmission system](#) in accordance with the operational criteria set out in Section 5 [and Section 9](#) of the Standard.
 - E.2.3 due regard should be given to the expected duration of an appropriate range of prevailing conditions and the relevant *secured events* under those conditions as defined in section 5 [and Section 9](#).
 - E.2.4 the operational costs to be considered shall normally include those arising from:
 - transmission power losses;
 - frequency response;
 - reserve;
 - reactive power requirements; and
 - system constraints,and may also include costs arising from:
 - rearrangement of transmission maintenance times; or
 - modified or additional contracts for other services.
 - E.2.5 all costs should take account of future uncertainties
 - E.2.6 the evaluation of unreliability costs expected from operation of the [national electricityGB transmission system](#) shall normally take account of the number and type of customers affected by supply interruptions and use appropriate information available to facilitate a

reasonable assessment of the economic consequences of such interruptions.